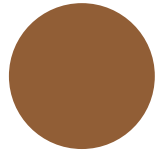
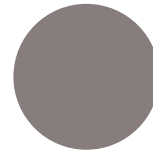
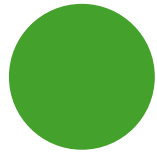
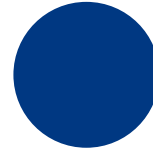
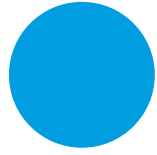
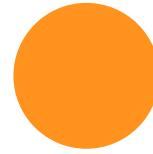
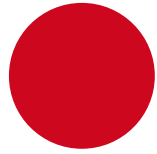
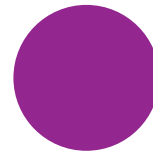
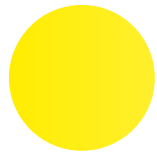


STARBOX CONTAINER REPAIR PARTS

QUALITY & SERVICE

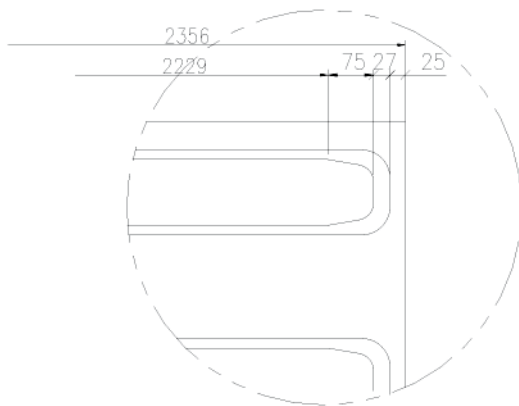
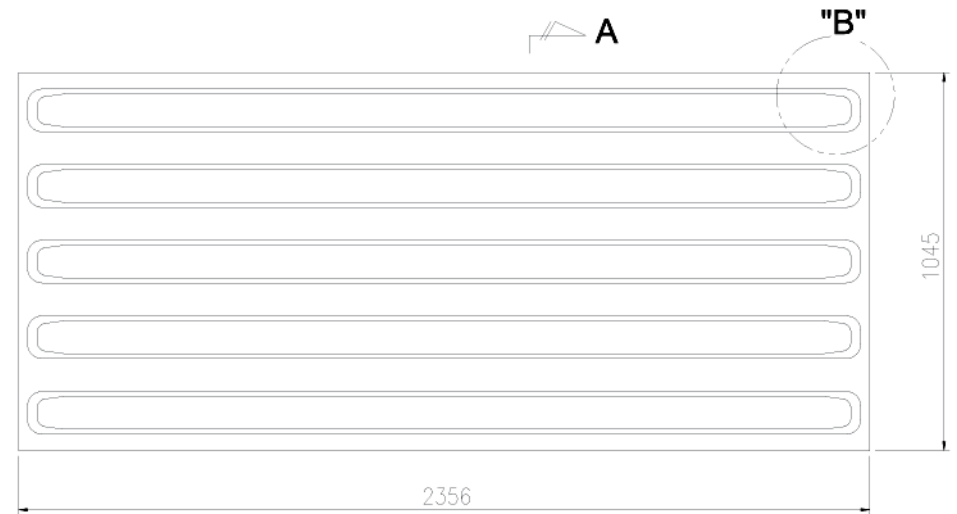


StarBox International BV
Van Weerden Poelmanweg 9
3088 EA Rotterdam
The Netherlands

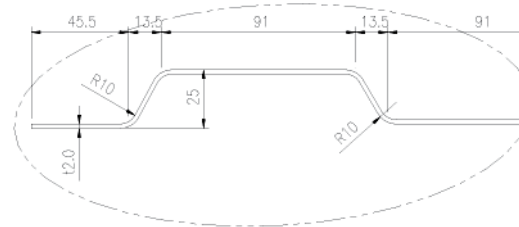
Tel. Central Office (+31) 104 831 755
Tel. Valencia Office (+34) 605 277 439
info@starboxintl.com
www.starboxintl.com

ROOF PANEL

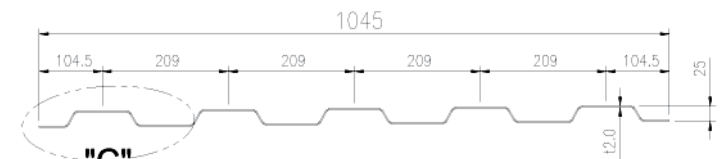
Pos.	Art.	Descrip.	Obs.
	02001	Standard Roofpanel Panel techo estándar	t2.0x1045x2356 mm CorTen 5 corr.



DETAIL "B"



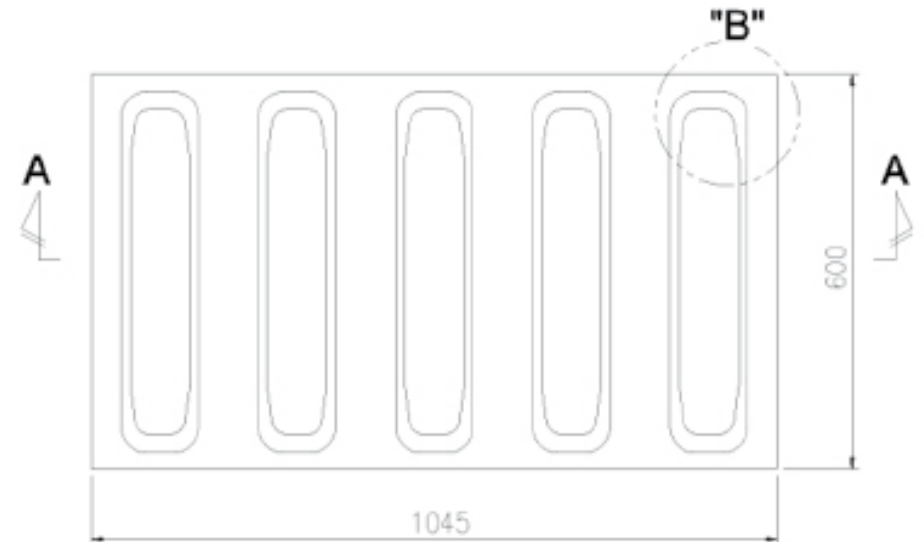
DETAIL "C"



SECTION A - A

ROOF PANEL PATCH

Pos.	Art.	Descrip.	Obs.
	02002	Roofpatch 1045x600 <i>Parche techo</i>	t2.0x1045x600 mm CorTen 5 corr.
	02003	Roofpatch 300x300 <i>Parche techo</i>	t2.0x300x300 mm



DRY BOX PARTS

StarBox International BV
Van Weerden Poelmanweg 9
3088 EA Rotterdam
The Netherlands

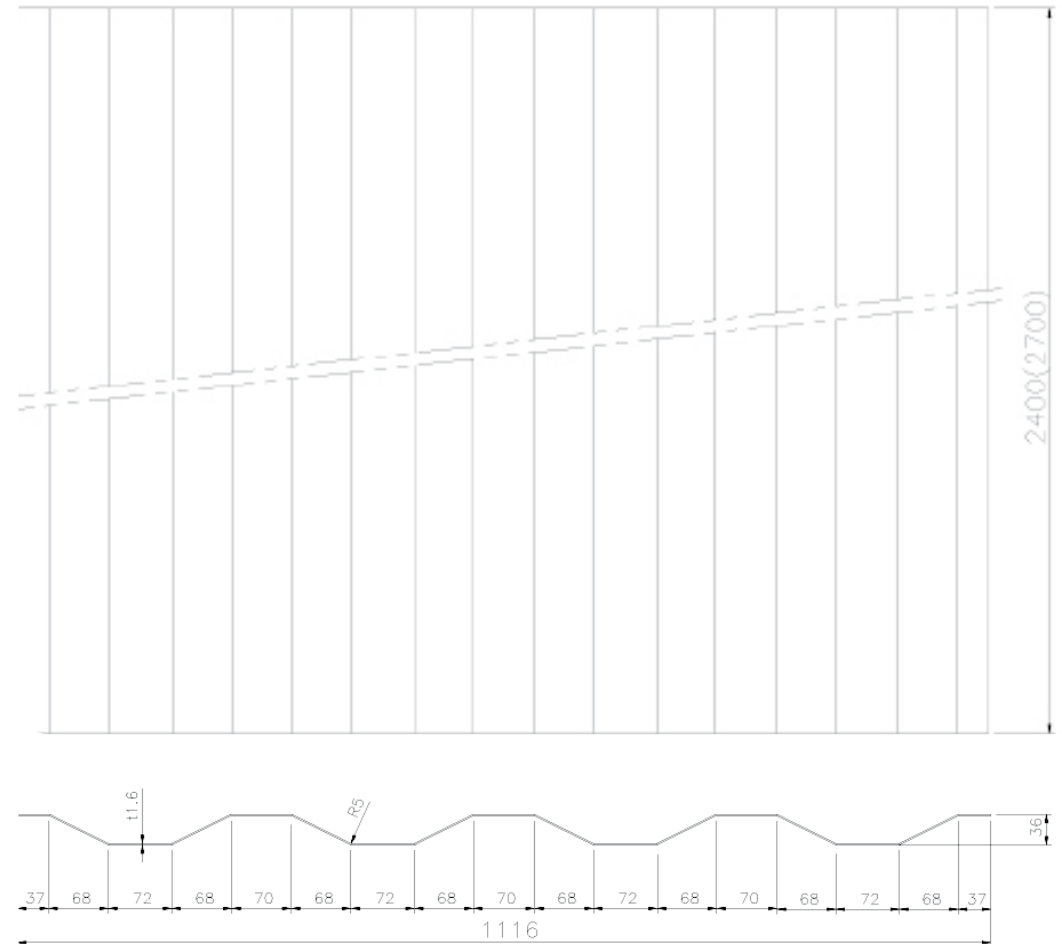
Tel. Central Office (+31) 104 831 755
Tel. Valencia Office (+34) 605 277 439
info@starboxintl.com
www.starboxintl.com

D2

SIDE PANEL

DRY BOX PARTS

Pos.	Art.	Descrip.	Obs.
	02004	Standard Sidepanel Panel lateral estándar	t1.6x1116x2400 mm CorTen
	02005	Standard Sidepanel Panel lateral estándar	t1.6x1116x2700 mm Corten



StarBox International BV
Van Weerden Poelmanweg 9
3088 EA Rotterdam
The Netherlands

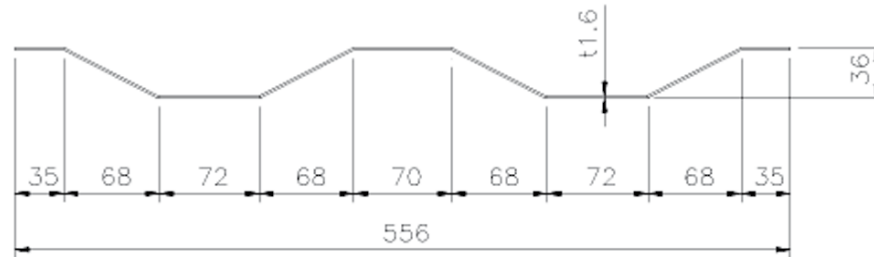
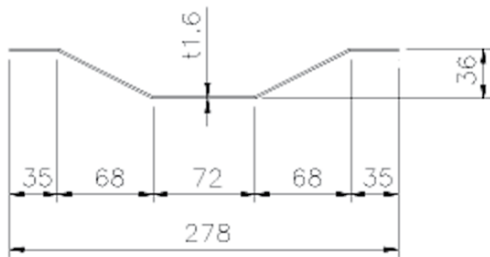
Tel. Central Office (+31) 104 831 755
Tel. Valencia Office (+34) 605 277 439
info@starboxintl.com
www.starboxintl.com

D3

SIDE PANEL PATCH

DRY BOX PARTS

Pos.	Art.	Descrip.	Obs.
	02008	Sidepanel Patch 278x150 <i>Parche panel lateral</i>	t1.6x278x150 mm CorTen 1 Corr.
	02009	Sidepanel Patch 278x300 <i>Parche panel lateral</i>	t1.6x278x300 mm CorTen 1 Corr.
	02026	Sidepanel Patch 278x600 <i>Parche panel lateral</i>	t1.6x278x600 mm CorTen 1 Corr.
	02024	Sidepanel Patch 278x900 <i>Parche panel lateral</i>	t1.6x278x900 mm CorTen 1 Corr.
	02035	Sidepanel Patch 278x2500 <i>Parche panel lateral</i>	t1.6x278x2500 mm CorTen 1 Corr.
	02036	Sidepanel Patch 278x2743 <i>Parche panel lateral</i>	t1.6x278x2743 mm CorTen 1 Corr.
	02010	Sidepanel Patch 556x150 <i>Parche panel lateral</i>	t1.6x556x150 mm CorTen 2 Corr.
	02057	Sidepanel Patch 556x300 <i>Parche panel lateral</i>	t1.6x556x300 mm CorTen 2 Corr.
	02011	Sidepanel Patch 556x600 <i>Parche panel lateral</i>	t1.6x556x600 mm CorTen 2 Corr.



StarBox International BV
Van Weerden Poelmanweg 9
3088 EA Rotterdam
The Netherlands

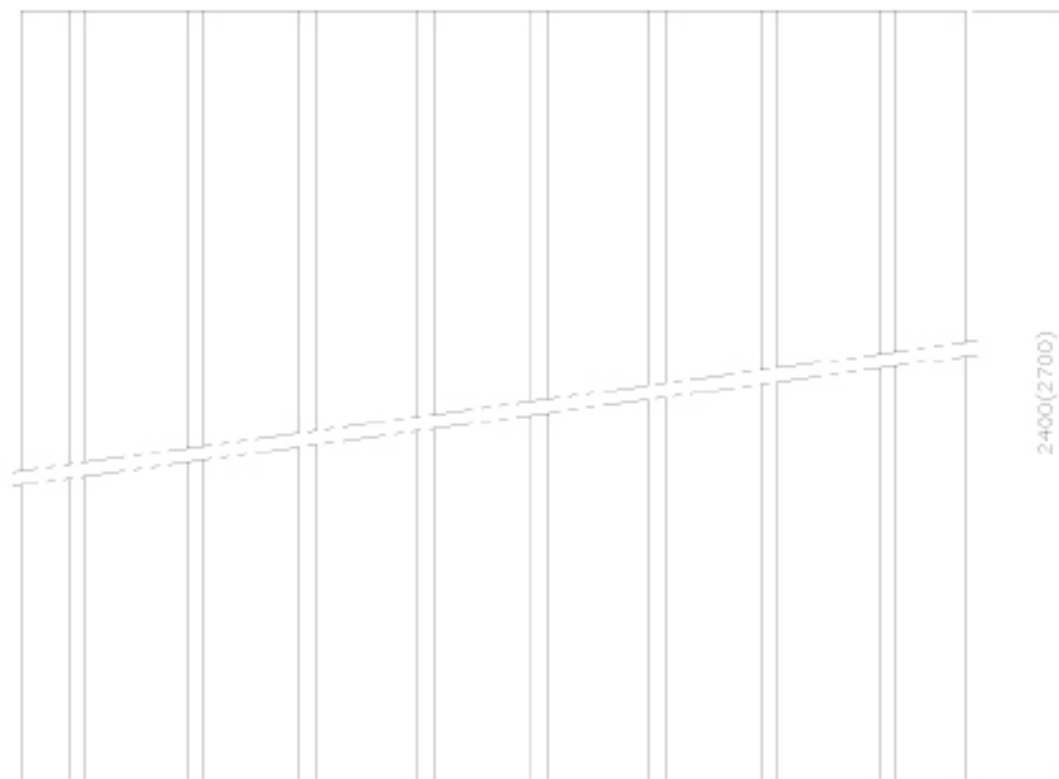
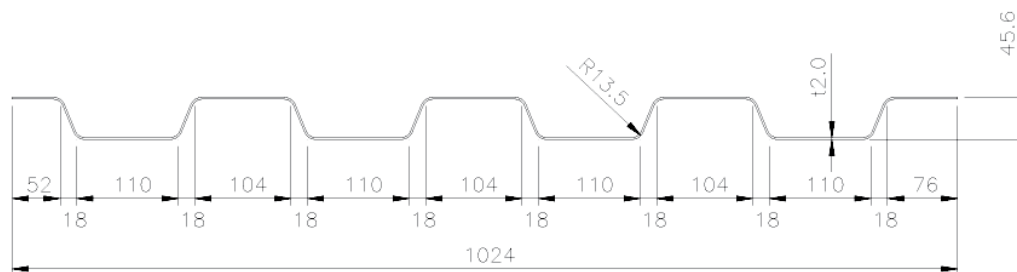
Tel. Central Office (+31) 104 831 755
Tel. Valencia Office (+34) 605 277 439
info@starboxintl.com
www.starboxintl.com

D4

FRONT PANEL

DRY BOX PARTS

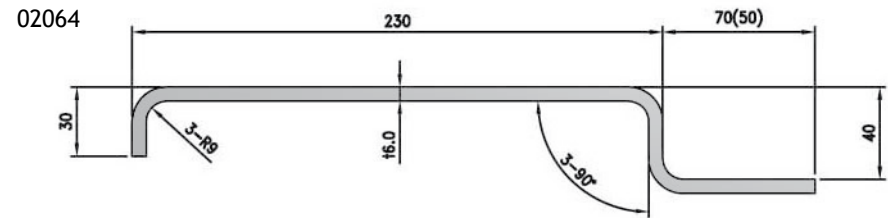
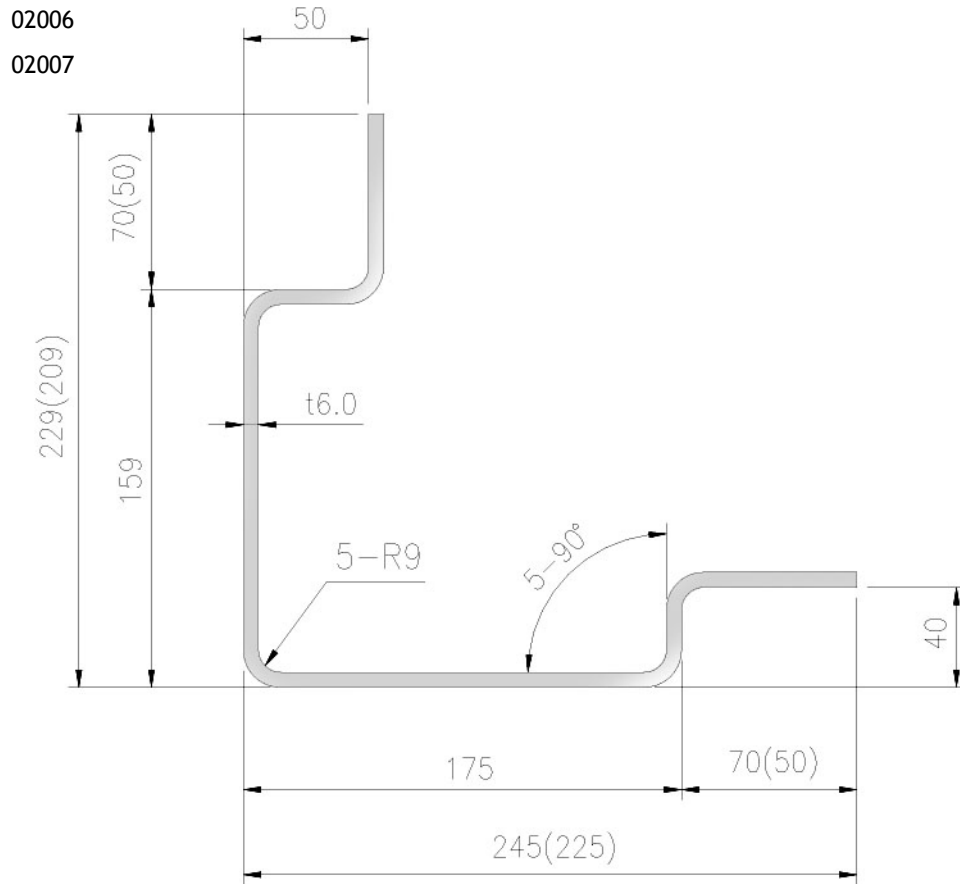
Pos.	Art.	Descrip.	Obs.
	02028	Standard Front Panel 8'6 <i>Panel frontal estándar</i>	t2.0x1024x2400 mm CorTen
	02037	Standard Front Panel 9'6 <i>Panel frontal estándar</i>	t2.0x1024x2700 mm CorTen



CORNERPOST

DRY BOX PARTS

Pos.	Art.	Descrip.	Obs.
	02006	Standard Front Corner Post 8'6 <i>Montante delantero estándar</i>	t6.0x209x225x2400 mm CorTen
	02007	Standard Front Corner Post 9'6 <i>Montante delantero estándar</i>	t6.0x209x225x2700 mm CorTen
	02064	Cornerpost Rear Outer <i>Montante trasero exterior</i>	t6.0x50x402x30x2400
	02065	Cornerpost Rear Inner <i>Montante trasero interior</i>	t6.0x40x113x40x2400



StarBox International BV
Van Weerden Poelmanweg 9
3088 EA Rotterdam
The Netherlands

Tel. Central Office (+31) 104 831 755
Tel. Valencia Office (+34) 605 277 439
info@starboxintl.com
www.starboxintl.com

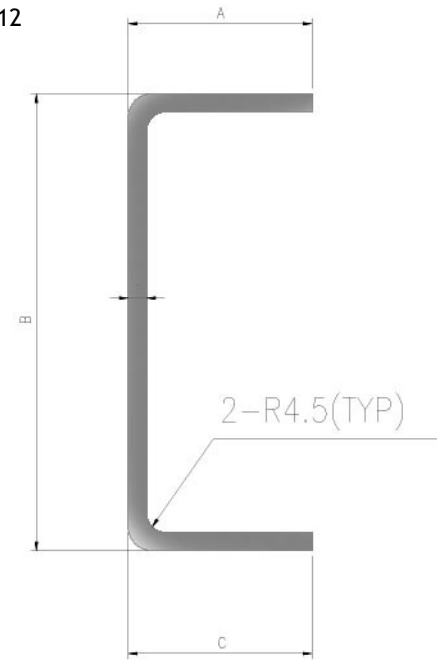
D6

CROSSMEMBER

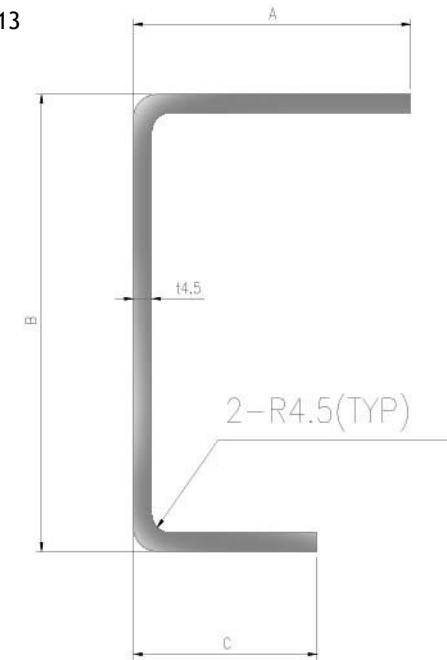
DRY BOX PARTS

Pos.	Art.	Descrip.	Obs.
	02063	Rear door sill <i>Umbral (lado puertas)</i>	t4.5x158x150x4.0 mm
	02012	Crossmember <i>Travesaño</i>	t4.5x45x122x45x2332 mm CorTen
	02013	Crossmember <i>Travesaño</i>	t4.5x45x122x75x2400 mm CorTen

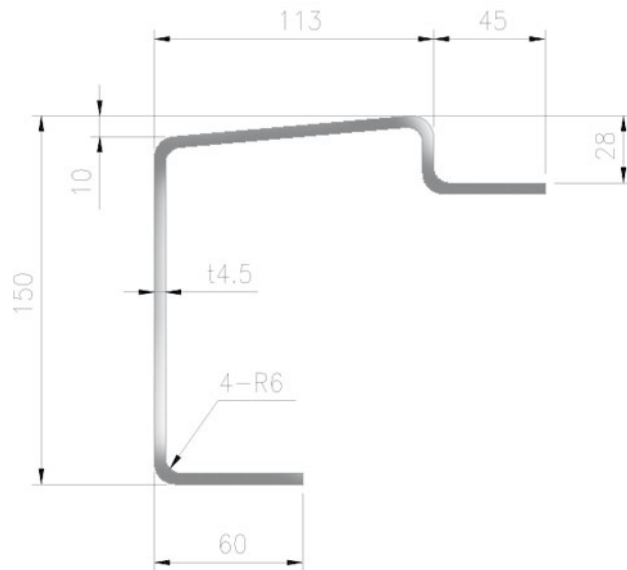
02012



02013



02063



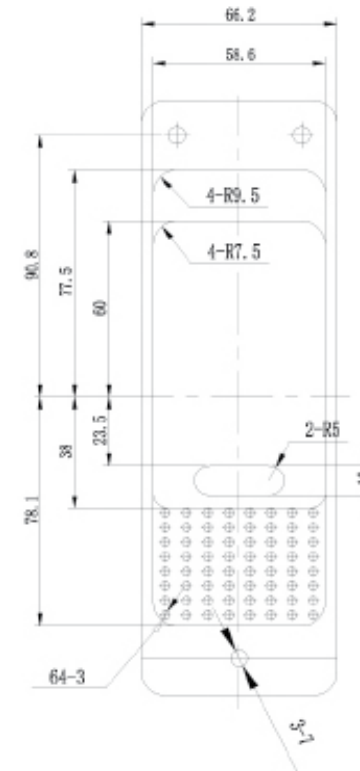
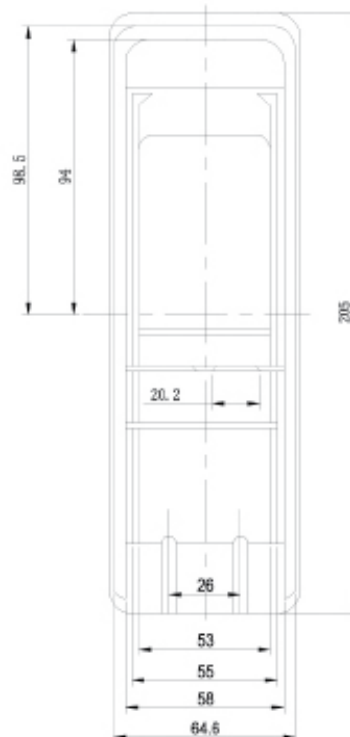
02012



CONTAINER VENT

Pos.	Art.	Descrip.	Obs.
	02019	Container Vent MV303 Yellow <i>Ventilador amarillo</i>	
	02043	Container Vent MV303 Red <i>Ventilador rojo</i>	
	02044	Container Vent MV303 Grey <i>Ventilador gris</i>	
	02048	Container Vent MV303 Blue <i>Ventilador azul</i>	
	02059	Container Vent MV303 Brown <i>Ventilador marrón</i>	

DRY BOX PARTS



StarBox International BV
Van Weerden Poelmanweg 9
3088 EA Rotterdam
The Netherlands

Tel. Central Office (+31) 104 831 755
Tel. Valencia Office (+34) 605 277 439
info@starboxintl.com
www.starboxintl.com

D8

CSC PLATE & DECALS

DRY BOX PARTS

Pos.	Art.	Descrip.	Obs.
	02014	CSC plate aluminum <i>Placa CSC aluminio</i>	
	02060	CSC plate stainless steel <i>Placa CSC inox.</i>	
	02015	CSC Reinspection Label <i>Pegatina reinspección CSC</i>	
	02042	Plate <i>Placa</i>	"Approved Transport Under Customs Seal"
	11052	Prefix stickers 100 mm ISO 24 <i>Pegatinas siglas</i>	Black on white <i>negro s. blanco</i> White on transp. <i>blanco s. transp.</i>
	11192	Prefix stickers 100 mm ISO 24 <i>Pegatinas siglas</i>	Diecut <i>troqueladas</i>
	11193	Prefix stickers 50 mm ISO 25 <i>Pegatinas siglas</i>	Diecut <i>troqueladas</i>

02014
02060



02015

2006	2007	2008	2009	2010	2011
REINSPECT BEFORE DATE PUNCHED					
JAN	FEB	MAR	APR	MAY	JUN
JUL	AUG	SEP	OCT	NOV	DEC
					CSC



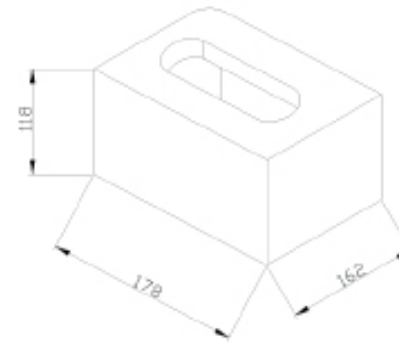
StarBox International BV
Van Weerden Poelmanweg 9
3088 EA Rotterdam
The Netherlands

Tel. Central Office (+31) 104 831 755
Tel. Valencia Office (+34) 605 277 439
info@starboxintl.com
www.starboxintl.com

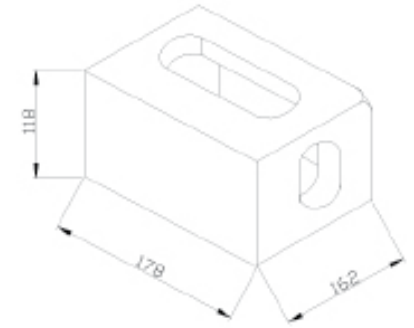
D9

ISO CORNER CASTING

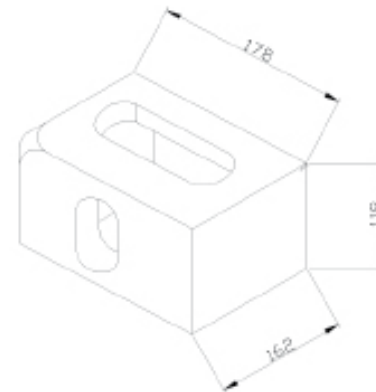
Pos.	Art.	Descrip.	Obs.
	02020	Corner Casting Bottom Left <i>Dado abajo izquierda</i>	178x162x118 mm SCW490MOD
	02021	Corner Casting Bottom Right <i>Dado abajo derecha</i>	178x162x118 mm SCW490MOD
	02022	Corner Casting Top Left <i>Dado arriba izquierda</i>	178x162x118 mm SCW490MOD
	02023	Corner Casting Top Right <i>Dado arriba derecha</i>	178x162x118 mm SCW490MOD



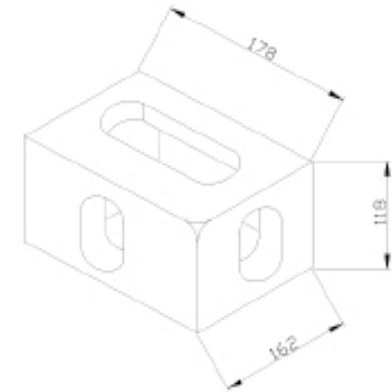
A



C



B



D

DRY BOX PARTS

StarBox International BV
Van Weerden Poelmanweg 9
3088 EA Rotterdam
The Netherlands

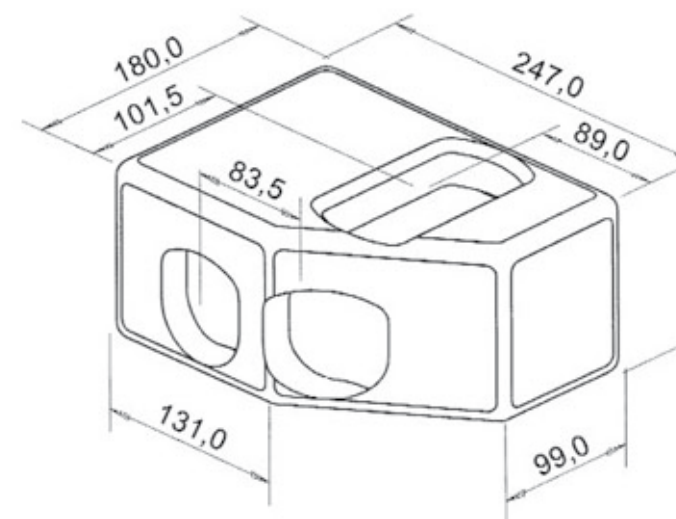
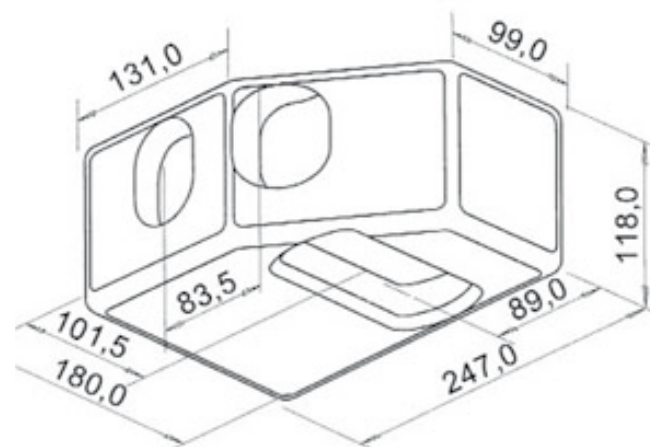
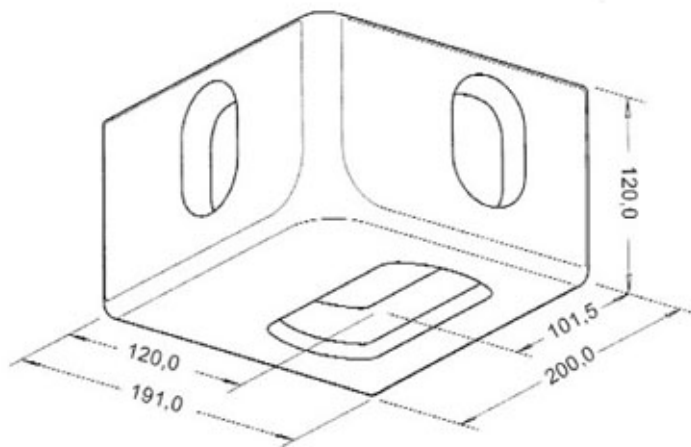
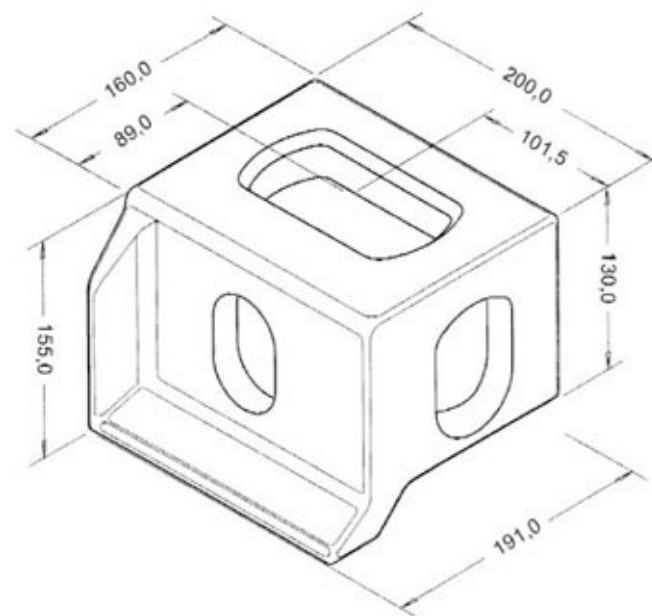
Tel. Central Office (+31) 104 831 755
Tel. Valencia Office (+34) 605 277 439
info@starboxintl.com
www.starboxintl.com

D10

CORNER CASTING EUROPEAN OVERLAND

DRY BOX PARTS

Pos.	Art.	Descrip.	Obs.
Up right Arr. dch.		Corner Casting EOC 2500 mm Dado EOC 2500 mm arriba izq.	Top Left 200x160/191x130/150 mm
		Corner Casting EOC 2500 mm Dado EOC 2500 mm arriba dch.	Top Right 200x160/191x130/150 mm
Down left Ab. izq.		Corner Casting EOC 2500 mm Dado EOC 2500 mm abajo izq.	Bottom Left 200x160/191x130/150 mm
		Corner Casting EOC 2500 mm Dado EOC 2500 mm abajo dch.	Bottom Right 200x160/191x130/150 mm
Down cntr Ab. centro		Front Corner Casting 45' Dado 45' sesgado arriba izq.	Geest Type EOC 2500 mm Top Left 247x180x118 mm
		Front Corner Casting 45' Dado 45' sesgado arriba dch.	Geest Type EOC 2500 mm Top Right 247x180x118 mm
Down right Ab. dch.		Front Corner Casting 45' Dado 45' sesgado abajo izq.	Geest Type EOC 2500 mm Bottom Left 247x180x118 mm
		Front Corner Casting 45' Dado 45' sesgado abajo dch.	Geest Type EOC 2500 mm Bottom Right 247x180x118 mm



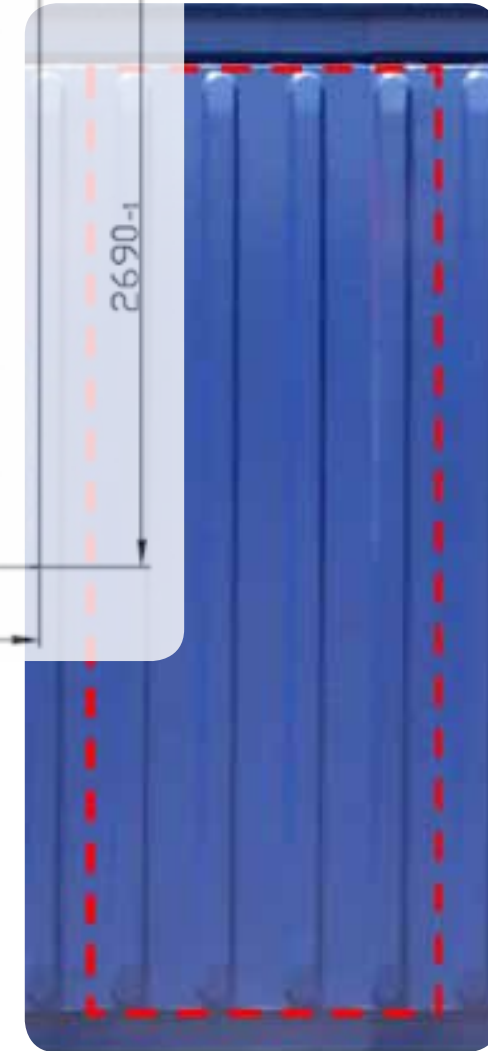
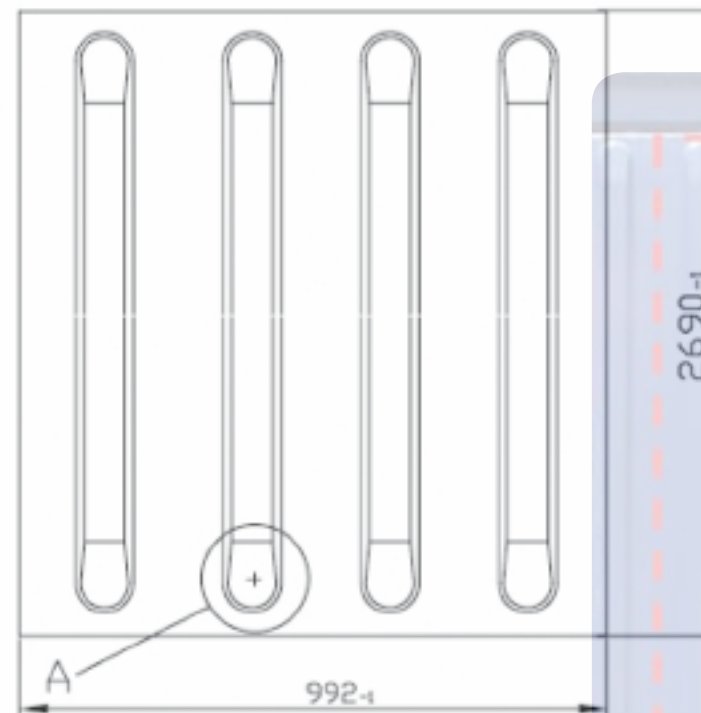
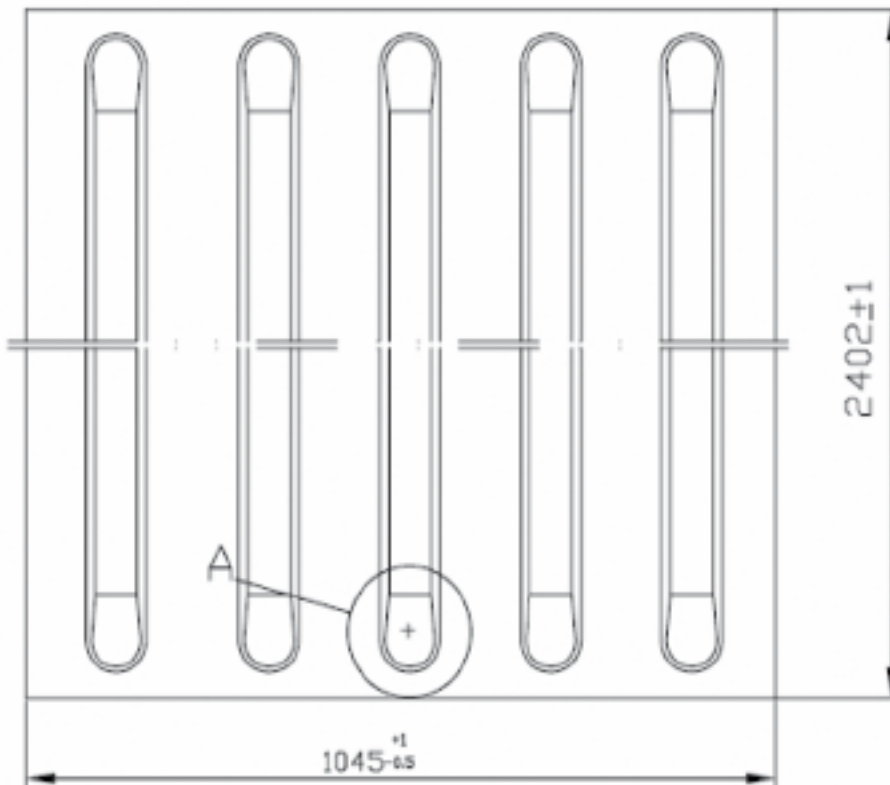
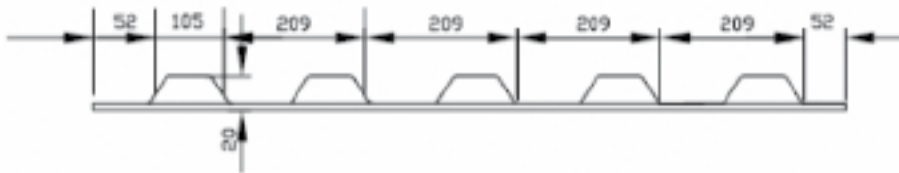
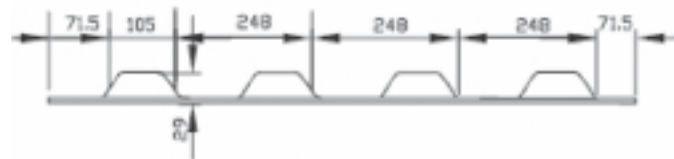
StarBox International BV
Van Weerden Poelmanweg 9
3088 EA Rotterdam
The Netherlands

Tel. Central Office (+31) 104 831 755
Tel. Valencia Office (+34) 605 277 439
info@starboxintl.com
www.starboxintl.com

D11

SEACELL ROOF PANEL AND SIDE PANEL

Pos.	Art.	Descrip.	Obs.
Left izq.	02047	Roof panel Panel techo	t1.6x1045x2402 mm
Right dch.	02045	Side panel Panel lateral	t2.0x992x2690 mm



DRY BOX PARTS

PAINT

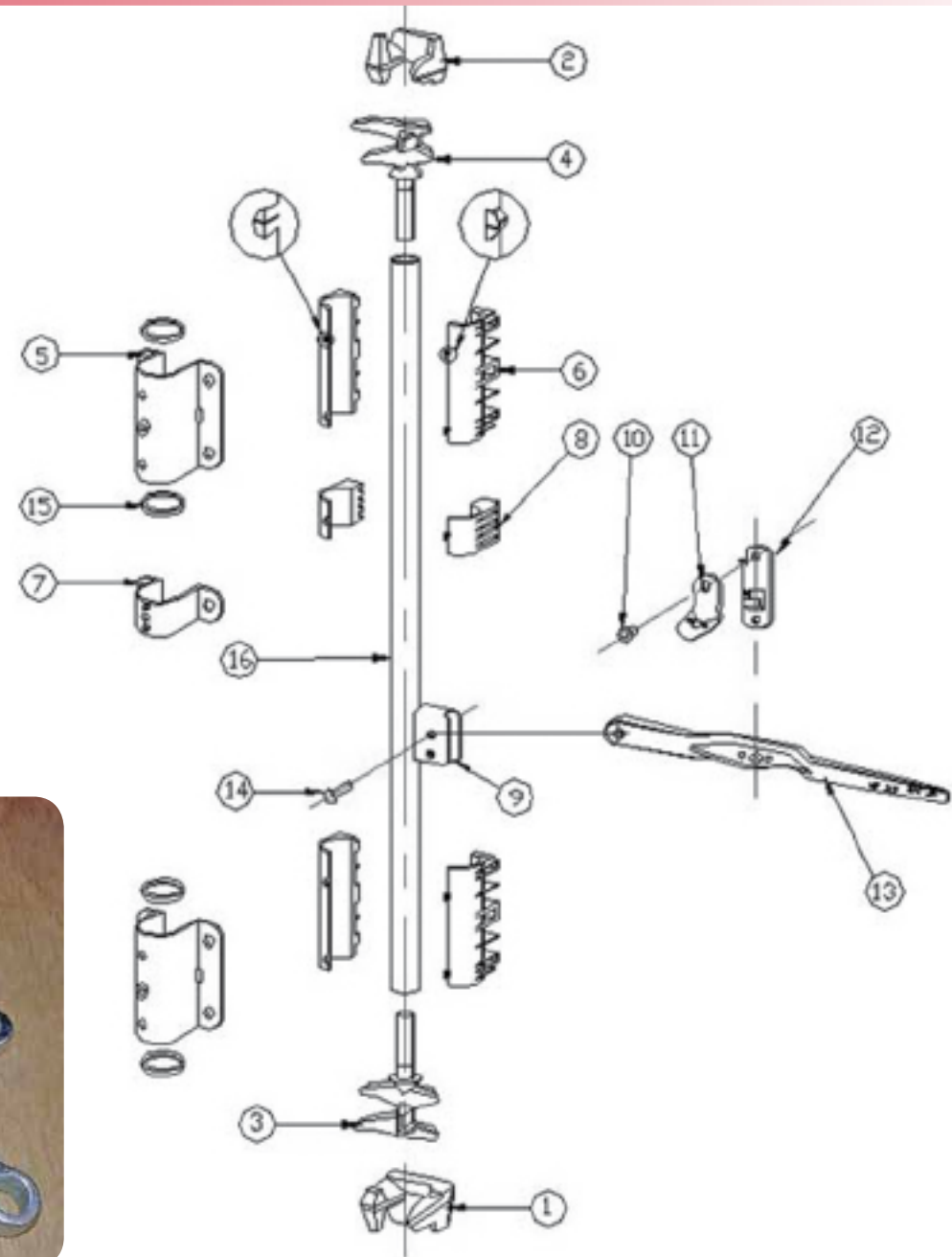
Pos.	Art.	Descrip.	Obs.	Pos.	Art.	Descrip.	Obs.
	10017	Paint yellow <i>Pintura amarilla</i>	RAL 1003		10024	Paint blue <i>Pintura azul</i>	RAL 5015
	10061	Paint yellow <i>Pintura amarilla</i>	RAL 1013		10005	Paint blue <i>Pintura azul</i>	RAL 5017
	10042	Paint yellow <i>Pintura amarilla</i>	RAL 1021		10033	Paint blue <i>Pintura azul</i>	RAL 5021
	10006	Paint yellow <i>Pintura amarilla</i>	RAL 1023		10034	Paint green <i>Pintura verde</i>	RAL 6004
	10047	Paint orange <i>Pintura naranja</i>	RAL 2002		10027	Paint green <i>Pintura verde</i>	RAL 6010
	10041	Paint red <i>Pintura roja</i>	RAL 3000		10036	Paint green <i>Pintura verde</i>	RAL 6018
	10019	Paint red <i>Pintura roja</i>	RAL 3002		10023	Paint grey <i>Pintura gris</i>	RAL 7001
	10026	Paint red <i>Pintura roja</i>	RAL 3003		10037	Paint grey <i>Pintura gris</i>	RAL 7031
	10015	Paint red <i>Pintura roja</i>	RAL 3009		10020	Paint grey <i>Pintura gris</i>	RAL 7035
	10039	Paint red <i>Pintura roja</i>	RAL 3020		10038	Paint grey <i>Pintura gris</i>	RAL 7040
	10025	Paint blue <i>Pintura azul</i>	RAL 5002		10078	Paint grey <i>Pintura gris</i>	RAL 7042
	10057	Paint blue <i>Pintura azul</i>	RAL 5003		10040	Paint brown <i>Pintura marrón</i>	RAL 8004
	10045	Paint blue <i>Pintura azul</i>	RAL 5005		10068	Paint brown <i>Pintura marrón</i>	RAL 8012
	10030	Paint blue <i>Pintura azul</i>	RAL 5009		10046	Paint white <i>Pintura blanca</i>	RAL 9001
	10003	Paint blue <i>Pintura azul</i>	RAL 5010		10074	Paint white <i>Pintura blanca</i>	RAL 9003
	10031	Paint blue <i>Pintura azul</i>	RAL 5011		10021	Paint black <i>Pintura negra</i>	RAL 9005
	10044	Paint blue <i>Pintura azul</i>	RAL 5012		10002	Paint white <i>Pintura blanca</i>	RAL 9010
	10004	Paint blue <i>Pintura azul</i>	RAL 5013				

DRY BOX PARTS

STANDARD LOCKING WITH FORGED HANDLE

DOORLOCKING

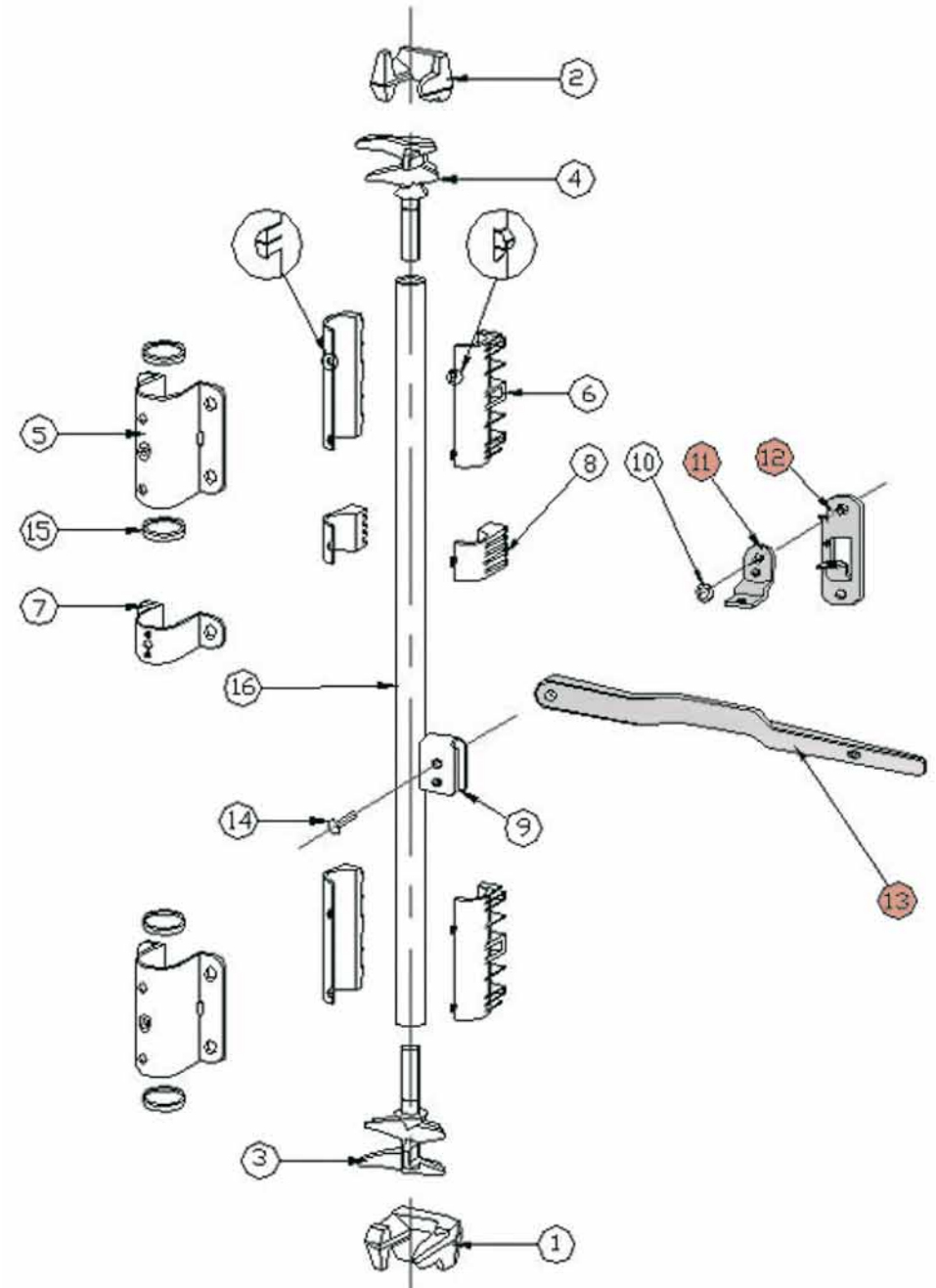
Pos.	Art.	Descrip.	Obs.
1	05003	Keeper RH <i>Armella mano dch.</i>	
2	05001	Keeper LH <i>Armella mano izq.</i>	
3	05004	Ice Break Cam RH <i>Latiguillo mano dch.</i>	
4	05002	Ice Break Cam LH <i>Latiguillo mano izq.</i>	
5	05005	Bearing Bracket Outer Large <i>Abrazadera exterior larga</i>	
6	05026	Large Split Bush <i>Casquillo interior larga</i>	
7	05006	Bearing Bracket Outer Small <i>Abrazadera exterior corta</i>	
8	05007	Small Split Bush <i>Casquillo interior corta</i>	
9	05009	Handle Hub <i>Cubo manivela</i>	
10	05012	Steel Bush <i>Cilindrillo de acero</i>	
11	05011	Retainer Catch <i>Lengüeta retenedor</i>	
12	05013	Retainer plate <i>Placa retenedor</i>	
13	05014	Forged Handle <i>Manivela forjada</i>	
14	05010	Rivet <i>Remache</i>	
15	05008	Anti Racking Ring <i>Junta anti-rotura</i>	
16	05999	Tube <i>Tube</i>	
	05031	Security keeper (RH) <i>Armella apta para precinto</i>	
	05030	Security cam (RH) <i>Latiguillo apto para precinto</i>	



STANDARD LOCKING WITH PRESSED HANDLE

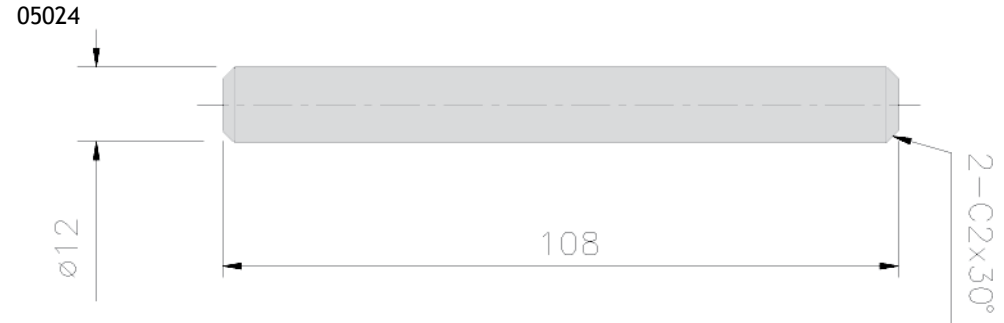
DOORLOCKING

Pos.	Art.	Descrip.	Obs.
1	05003	Keeper RH <i>Armella mano dch.</i>	
2	05001	Keeper LH <i>Armella mano izq.</i>	
3	05004	Ice Break Cam RH <i>Latiguillo mano dch.</i>	
4	05002	Ice Break Cam LH <i>Latiguillo mano izq.</i>	
5	05005	Bearing Bracket Outer Large <i>Abrazadera exterior larga</i>	
6	05026	Large Split Bush <i>Casquillo interior larga</i>	
7	05006	Bearing Bracket Outer Small <i>Abrazadera exterior corta</i>	
8	05007	Small Split Bush <i>Casquillo interior corta</i>	
9	05009	Handle Hub <i>Cubo manivela</i>	
10	05012	Steel Bush <i>Cilindrillo de acero</i>	
11	05021	Retainer Catch pressed handle <i>Lengüeta para maneta plana</i>	
12	05022	Retainer plate pressed handle <i>Placa retenedor maneta plana</i>	
13	05015	Pressed Handle <i>Maneta plana</i>	
14	05010	Rivet <i>Remache</i>	
15	05008	Anti Racking Ring <i>Junta anti-rotura</i>	
16	05999	Tube <i>Tube</i>	

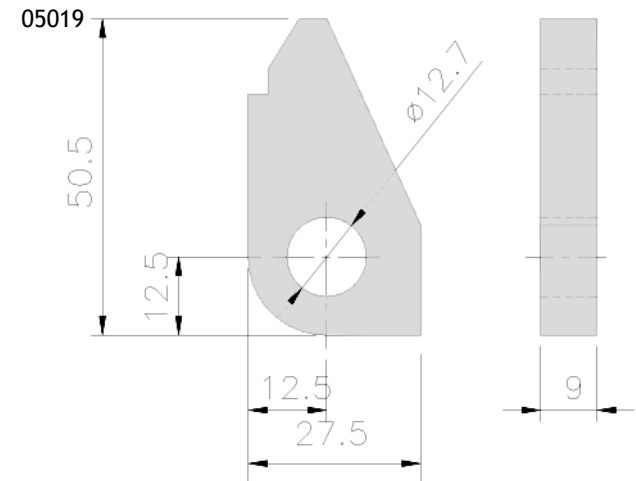
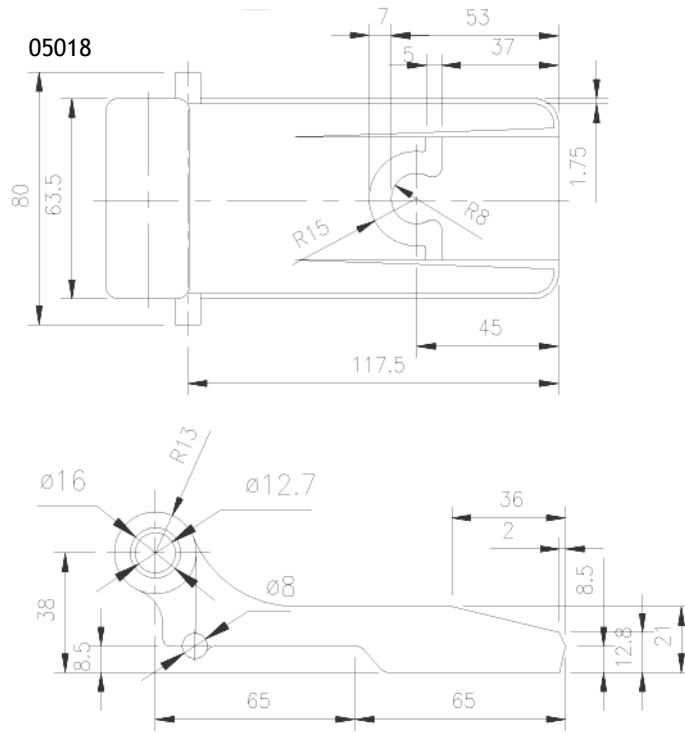
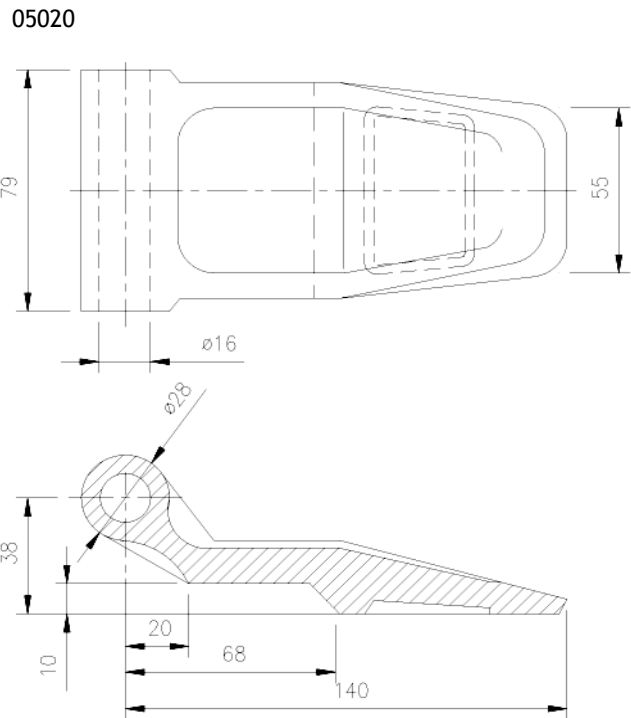


HINGE

Pos.	Art.	Descrip.	Obs.
	05020	Hinge PH 10.505 <i>Bisagra pico pato</i>	79x140x38 mm / 0,976 Kg
	05018	Hinge BCP 11026 <i>Bisagra</i>	63,5x130x38 mm / 1,135 Kg
	05019	Hinge lug <i>Soporte bisagra</i>	0,055 Kg
	05024	Hinge pin 11225/108 mm <i>Espiga 108 mm</i>	Ø12x108 mm / 0,083 Kg Stainless Steel
	05023	Hinge pin 11225/130 mm <i>Espiga 130 mm</i>	Ø12x130 mm / 0,100 Kg Stainless Steel



DOORLOCKING



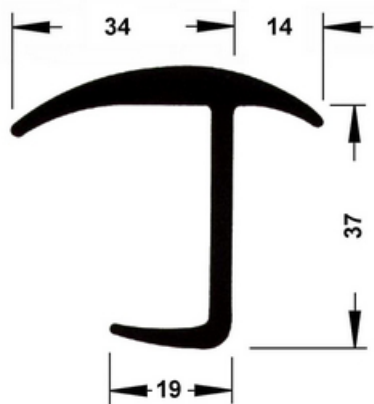
StarBox International BV
Van Weerden Poelmanweg 9
3088 EA Rotterdam
The Netherlands

Tel. Central Office (+31) 104 831 755
Tel. Valencia Office (+34) 605 277 439
info@starboxintl.com
www.starboxintl.com

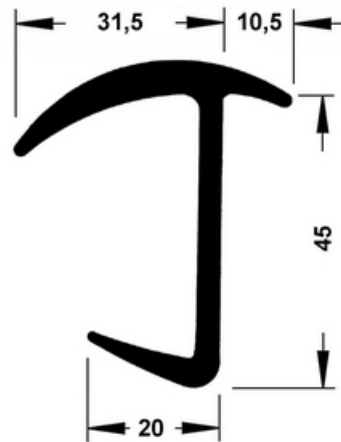
DOOR GASKET

Pos.	Art.	Descrip.	Obs.
	02017	Doorgasket M133.51 roll <i>Goma puerta en bobina</i>	EPDM 40 m
	02058	Doorgasket M133.51 strip <i>Goma puerta en tiras</i>	EPDM 250 cm
	02018	Doorgasket M133.55 roll <i>Goma puerta en bobina</i>	EPDM 40 m
	02034	Doorgasket M133.55 strip <i>Goma puerta en tiras</i>	EPDM 250 cm
	02051	Doorgasket Genstar type strip <i>Goma tipo Genstar en tiras</i>	EPDM 250 cm
	02054	Doorgasket D26-03C strip <i>Goma puerta en tiras</i>	EPDM 250 cm

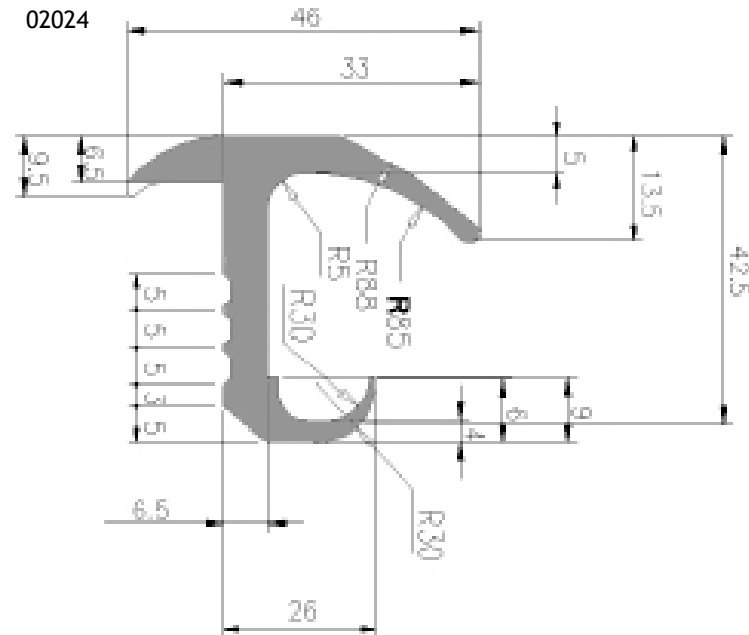
02017 / 02058



02018 / 02034

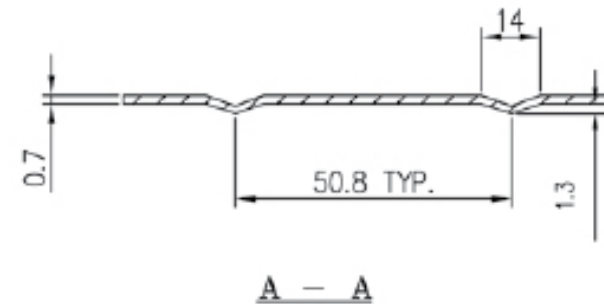
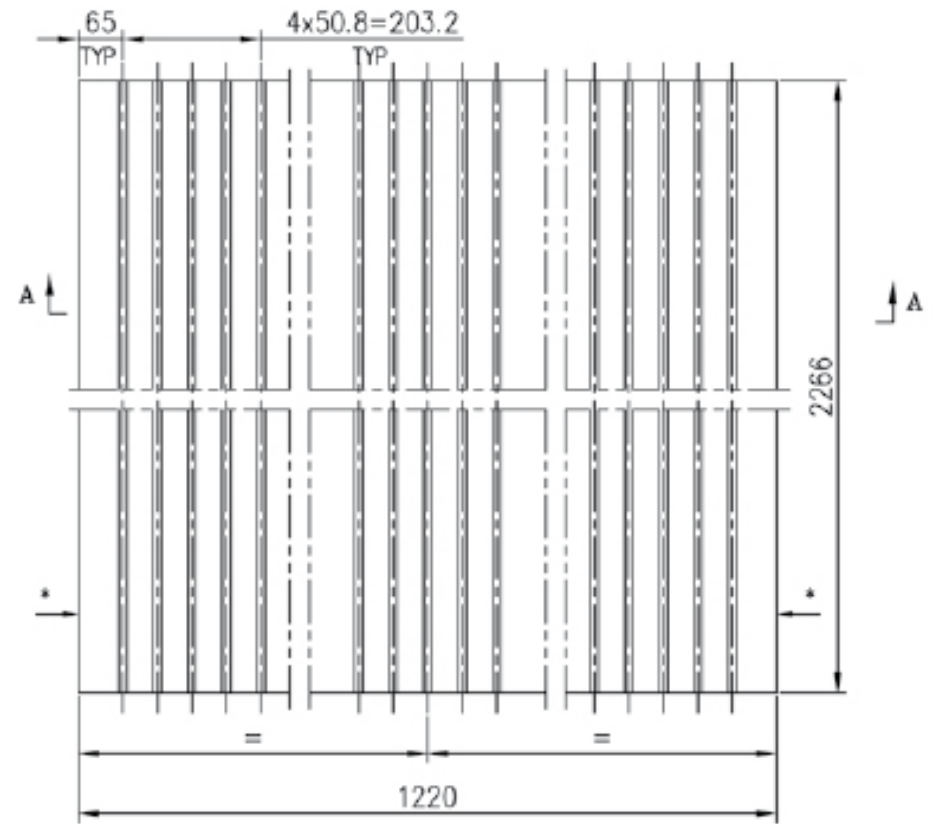
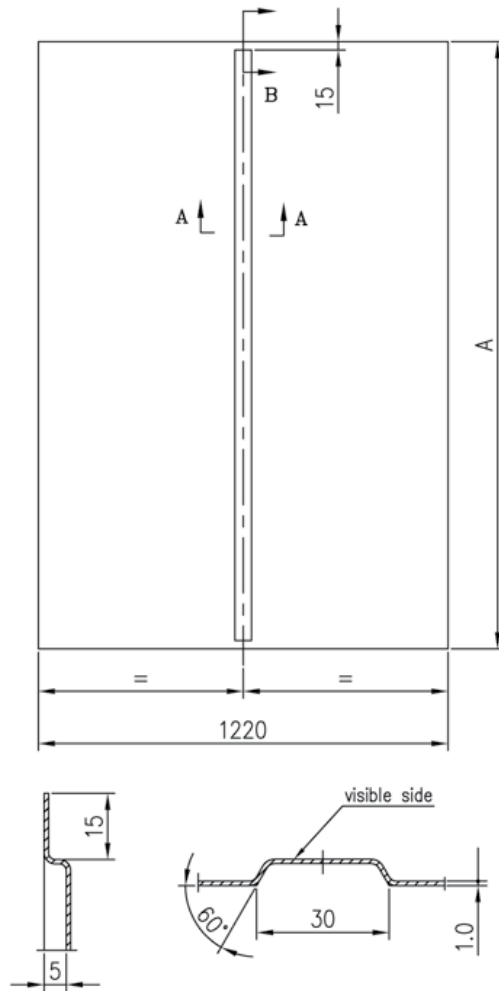


02024



CIMC ROOF PANEL & ROOF LINING PANEL

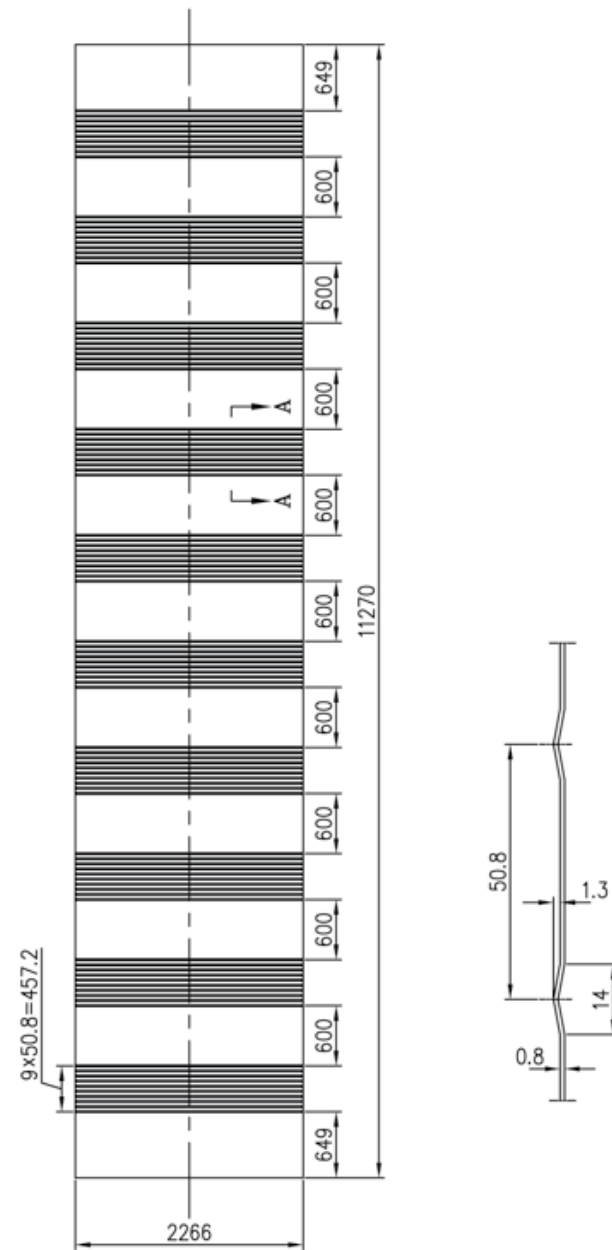
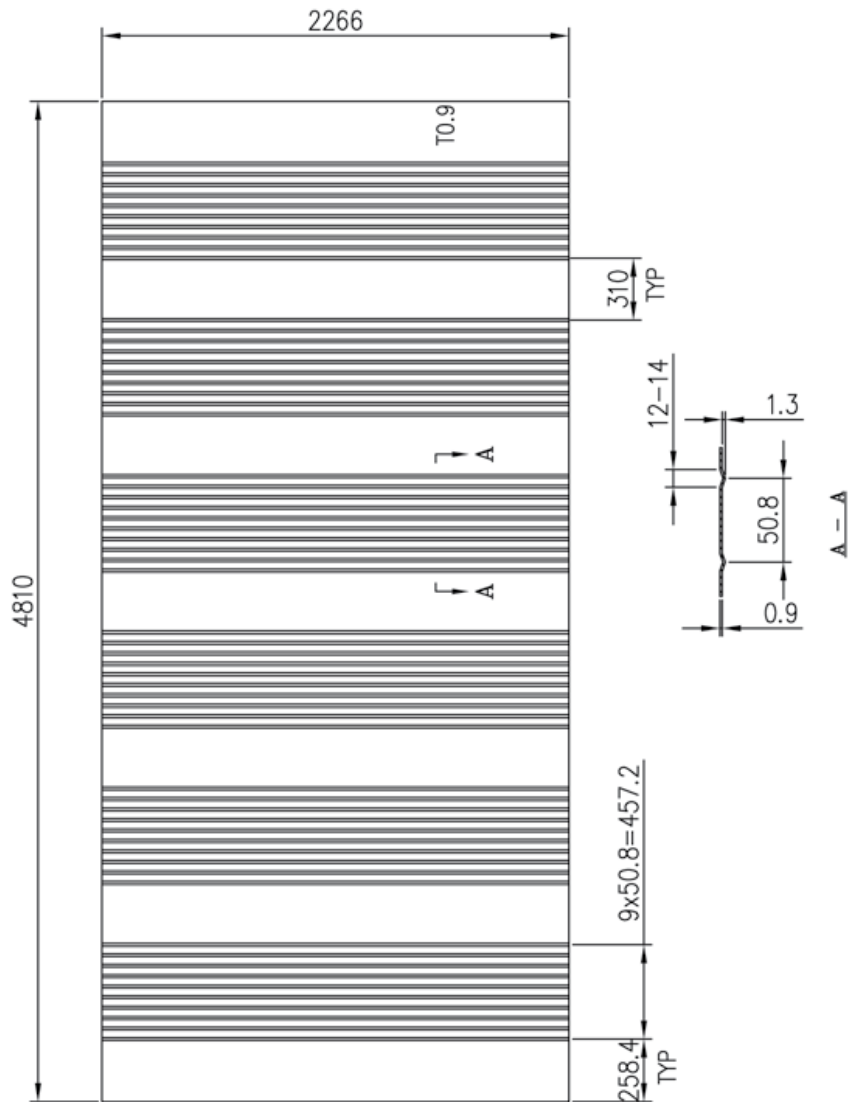
Pos.	Art.	Descrip.	Obs.
Left Izq.	03081	Roofpanel CIMC Panel exterior techo	t1.0x1220x2354 mm MGSS
Left Izq.	03078	Roofpanel CIMC Panel exterior techo	t1.0x1220x2380 mm MGSS
Right dch.	03093	Rooflining panel Panel techo interior	t0.7x2266x1220 mm SUS304



CIMC ROOF LINING

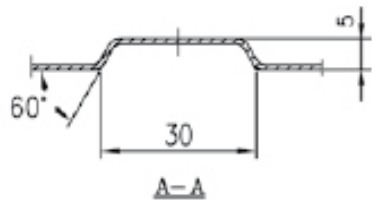
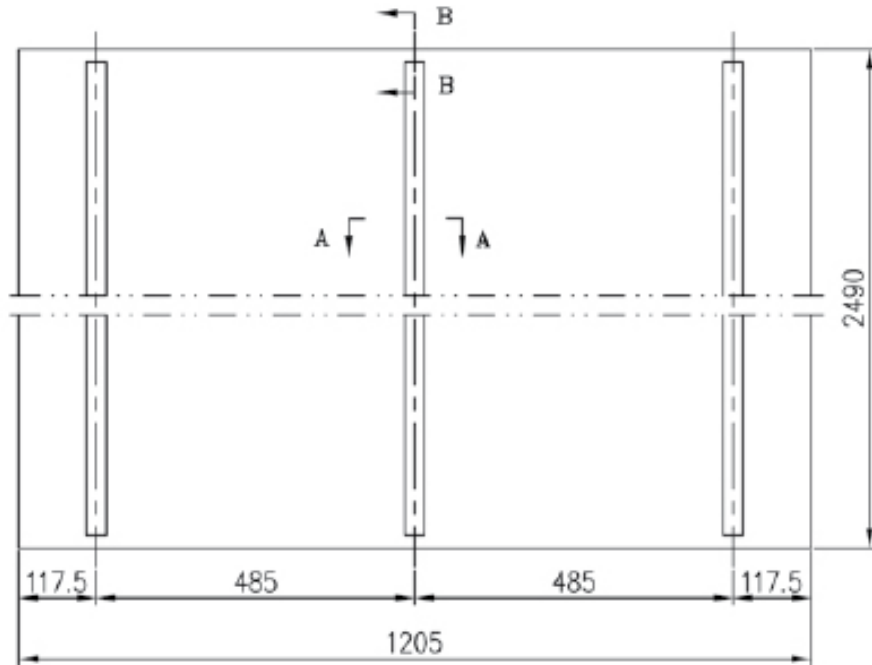
REEFER PARTS

Pos.	Art.	Descrip.	Obs.
Left Izq.		Rooflining 20' CIMC-08-006 Panel interior techo	t0.9x2266x4810 mm / 26,600 Kg 5042-H46
Right dch.		Rooflining 40' CIMC-08-003 Panel interior techo	t0.8x2266x11270 mm / 55,300 Kg 5042-H46



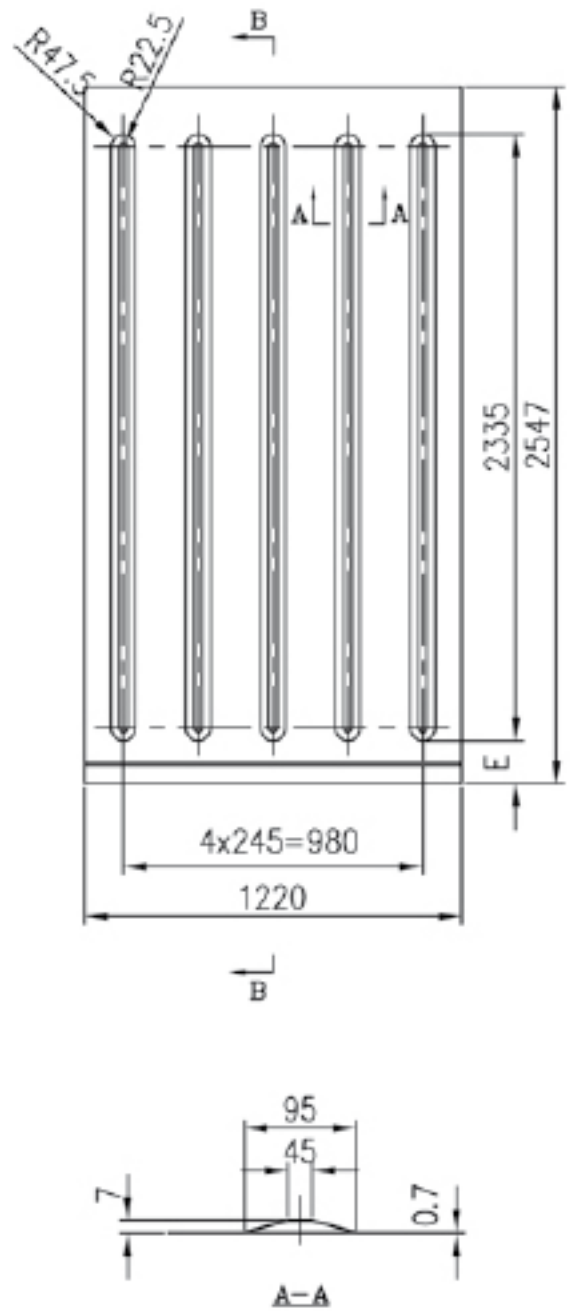
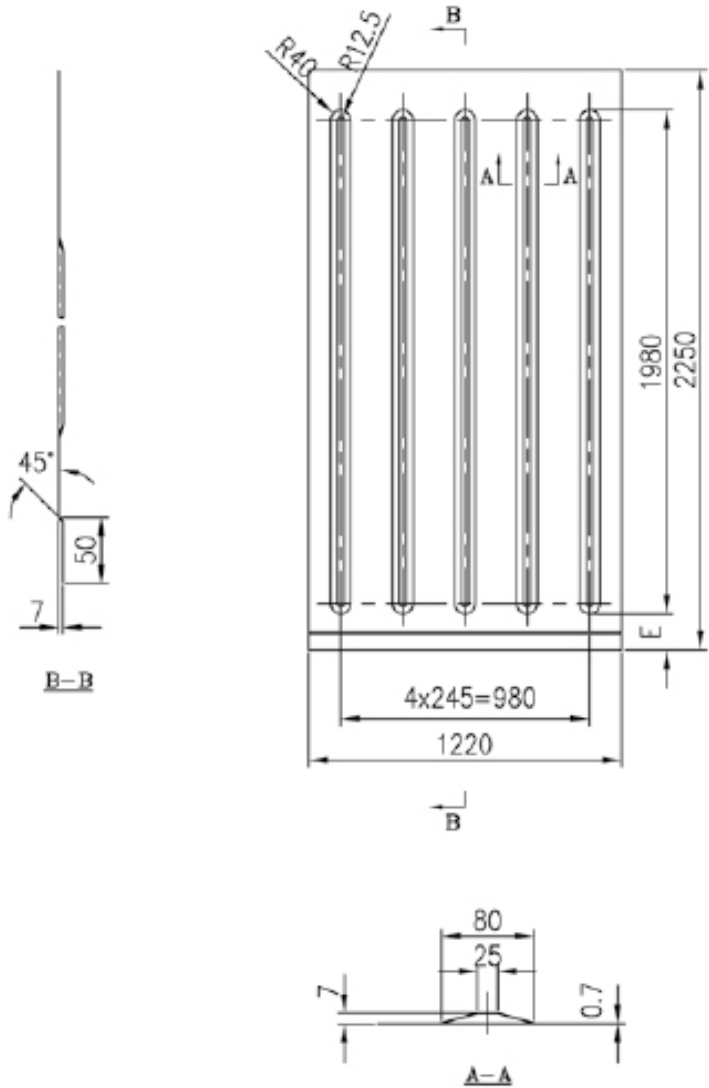
CIMC SIDE PANEL

Pos.	Art.	Descrip.	Obs.
Left Izq.	03079	Side Panel CIMC Panel lateral exterior	t0.8x1205x2490 mm MGSS
Left izq.		Side Panel CIMC Panel lateral exterior	t1.0x1205x2490 mm HGSS



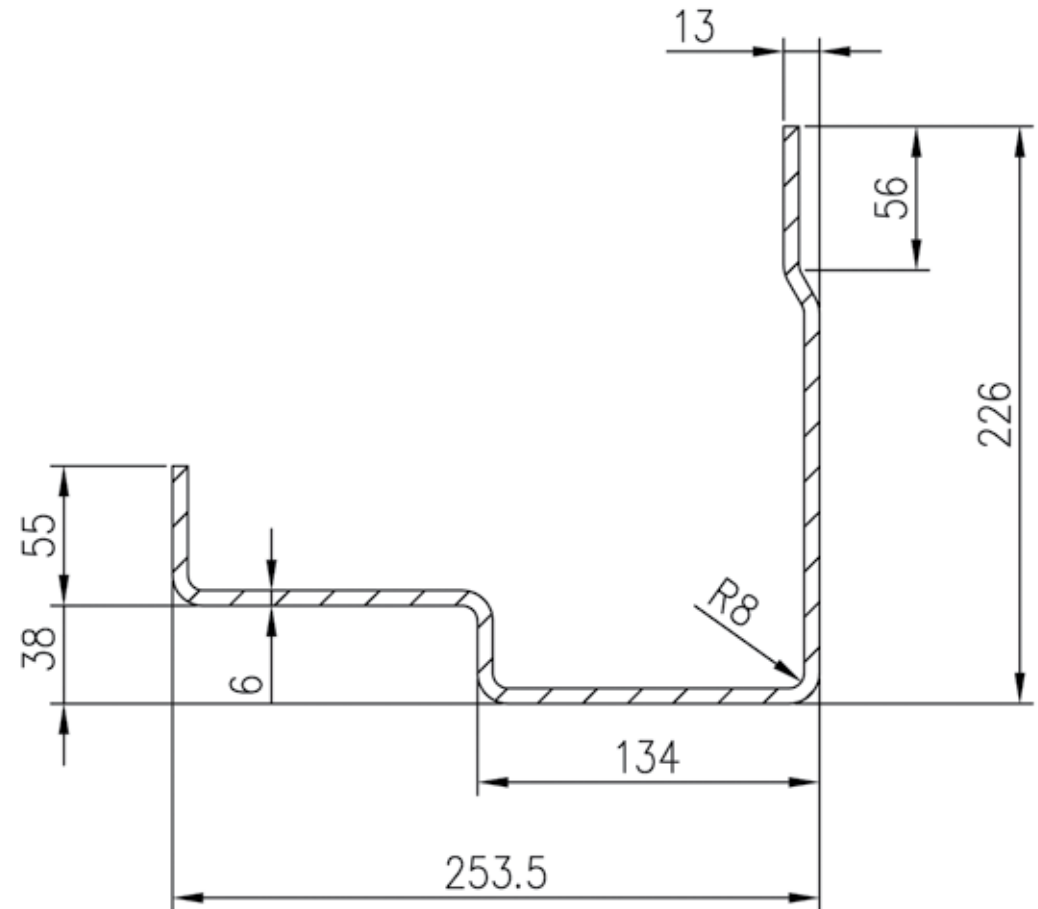
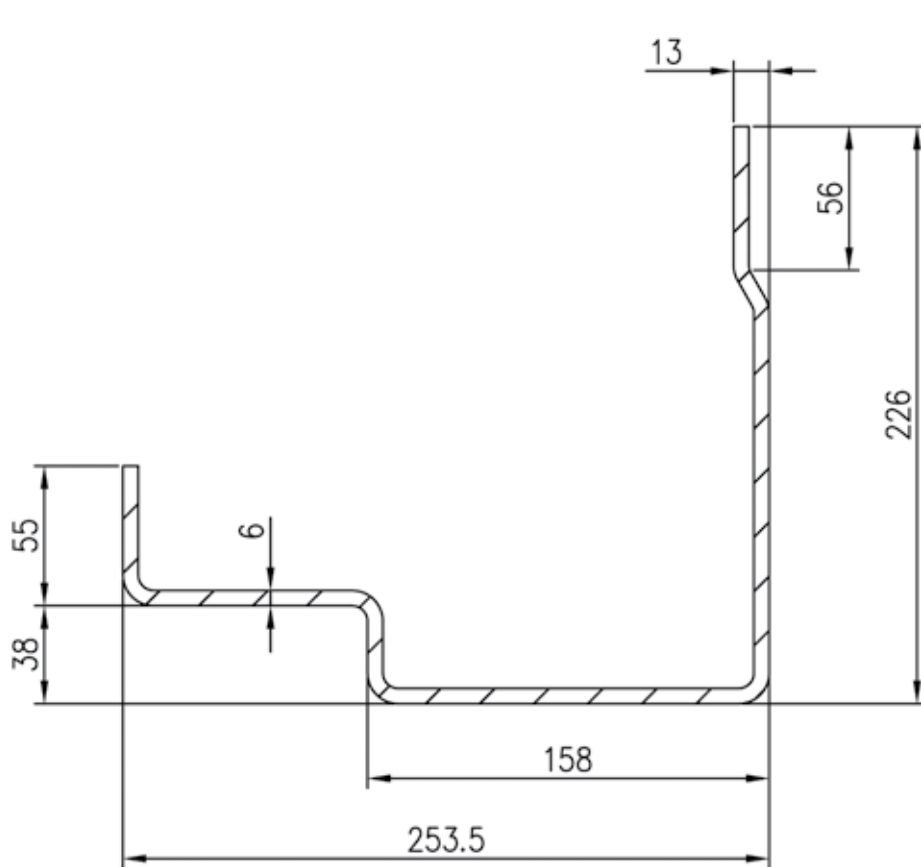
CIMC SIDE LINING

Pos.	Art.	Descrip.	Obs.
Left Izq.	03080	Side Lining 8'6 CIMC Panel lateral interior 8'6	t0.7x1220x2250 mm SUS304 5 Corr. 80/25 mm
Right dch.	03048	Side Lining HC CIMC Panel lateral interior HC	t0.7x1220x2547 mm SUS304 5 Corr. 95/45 mm



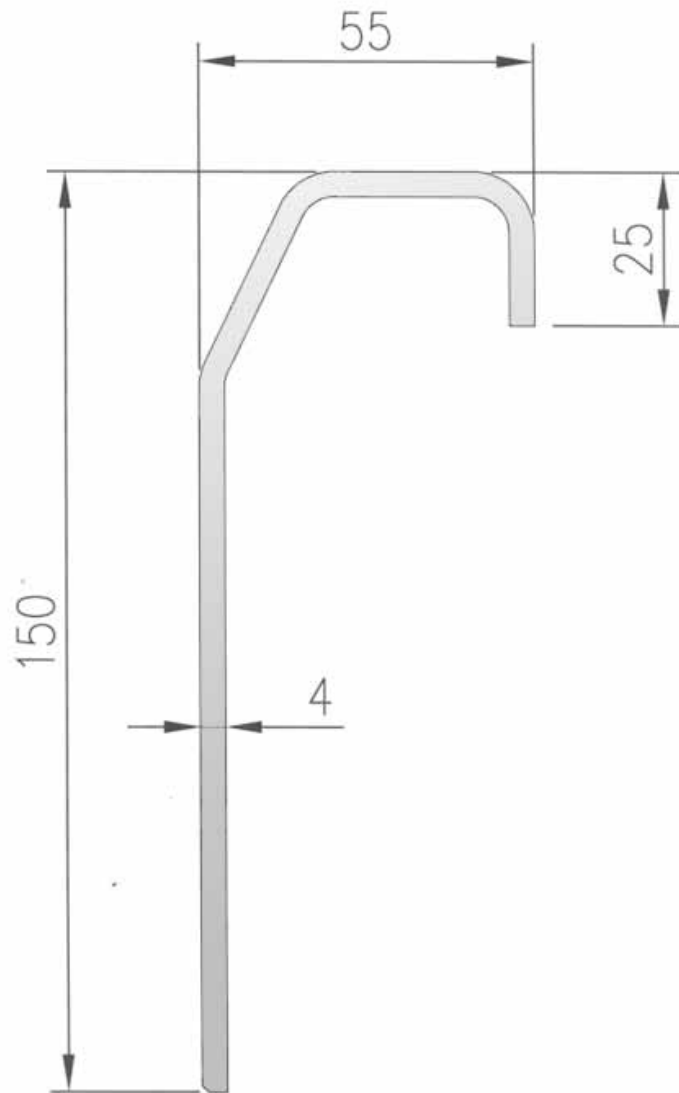
CIMC FRONT CORNER POST

Pos.	Art.	Descrip.	Obs.
Left Izq.		Front Corner Post CIMC-04-001 <i>Montante frontal</i>	CorTen
Right dch.		Front Corner Post CIMC-04-002 <i>Montante frontal</i>	CorTen



CIMC TOP SIDE RAIL

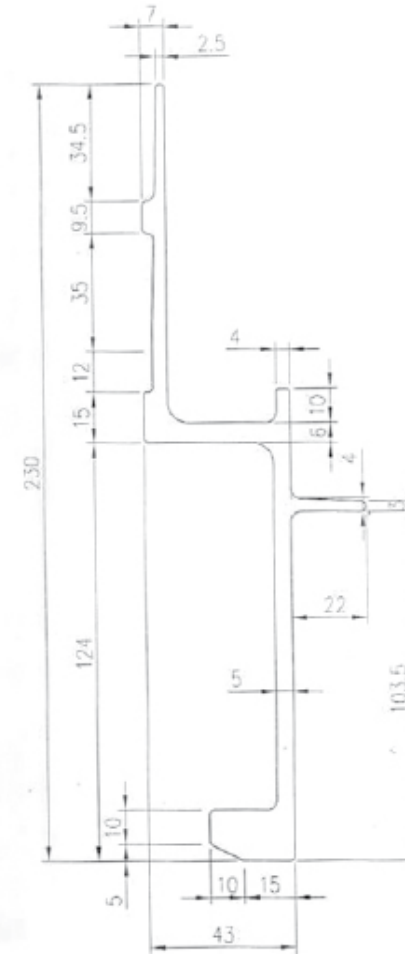
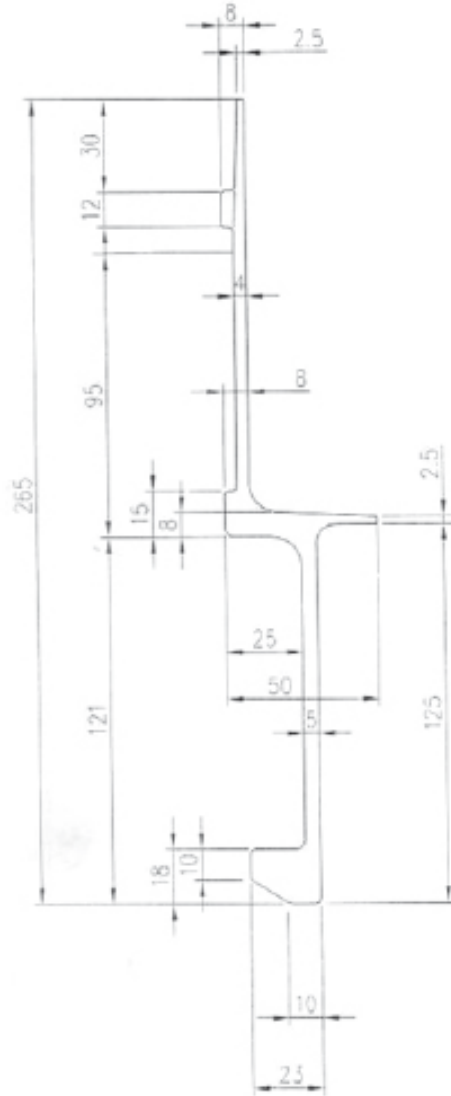
Pos.	Art.	Descrip.	Obs.
	03083	Top Side Rail CIMC <i>Cantenera lateral superior</i>	CorTen 5700 mm



CIMC BOTTOM SIDE RAIL ALUMINIUM

REEFER PARTS

Pos.	Art.	Descrip.	Obs.
Left Izq.		Bottom Side Rail CIMC-02-004 <i>Cantonera lateral inferior</i>	Aluminium 20'
Right dch.		Bottom Side Rail CIMC-02-006 <i>Cantonera lateral inferior</i>	Aluminium 20'



StarBox International BV
Van Weerden Poelmanweg 9
3088 EA Rotterdam
The Netherlands

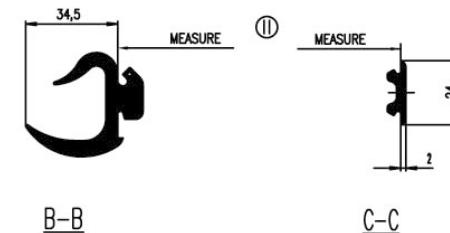
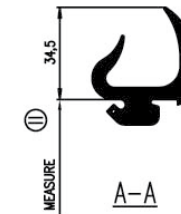
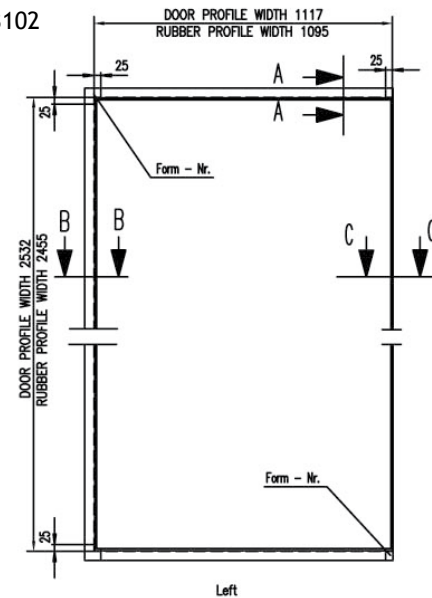
Tel. Central Office (+31) 104 831 755
Tel. Valencia Office (+34) 605 277 439
info@starboxintl.com
www.starboxintl.com

R7

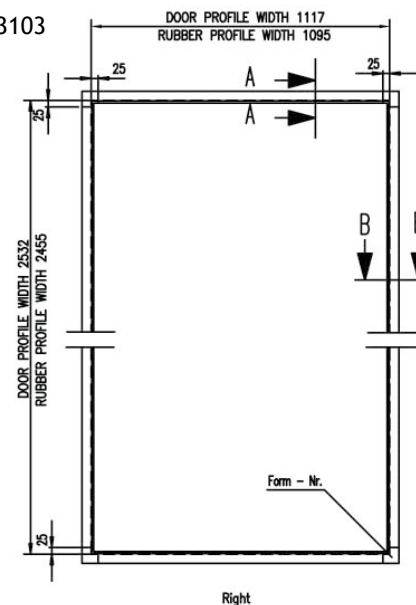
CIMC DOOR SEALING OUTER

Pos.	Art.	Descrip.	Obs.
	03102	Door sealing outer CIMC LH <i>Goma exterior puerta dch.</i>	9'6" EPDM
	03103	Door sealing outer CIMC RH <i>Goma exterior puerta izq.</i>	9'6" EPDM

03102



03103



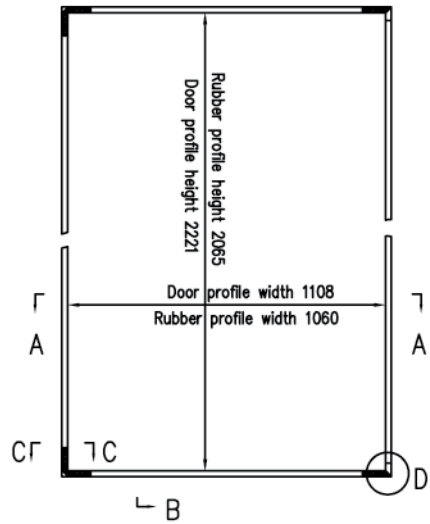
① to be measured from this edge

CIMC DOOR SEALING INSIDE

Pos.	Art.	Descrip.	Obs.
	03026	Door sealing inside CIMC LH <i>Goma interior puerta dch.</i>	9'6" EPDM
	03025	Door sealing inside CIMC RH <i>Goma interior puerta izq.</i>	9'6" EPDM

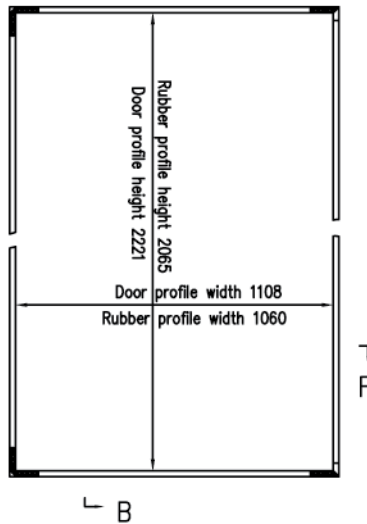
03026

B

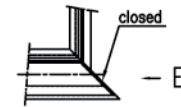


03025

B



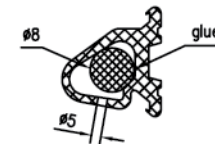
B - B



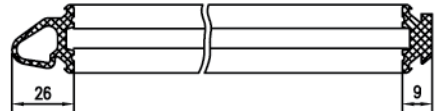
DETAIL D



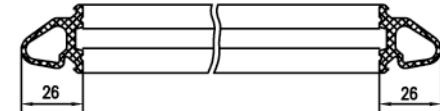
VIEW E



C - C



A - A



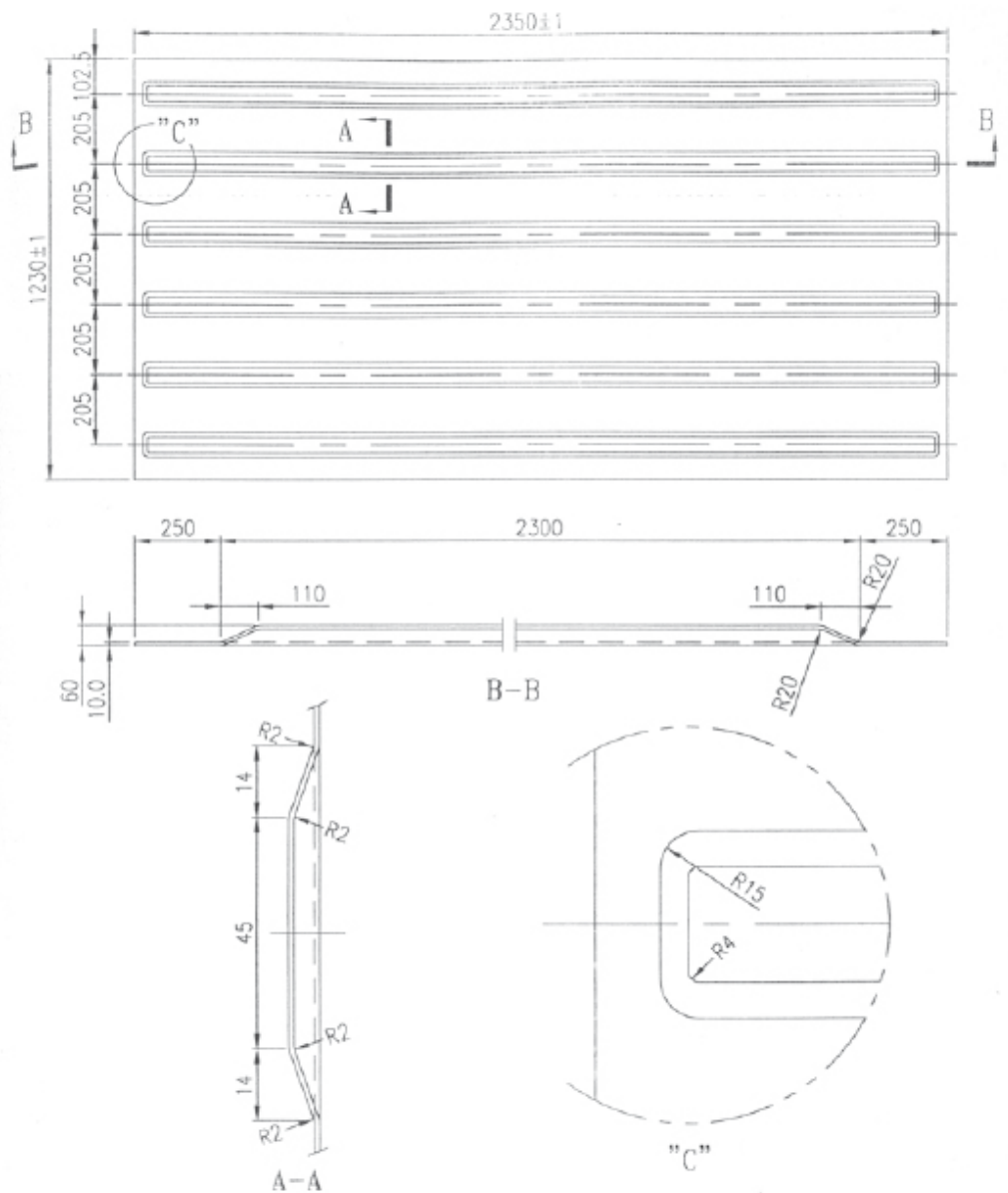
F - F

REEFER PARTS

REEFERCO ROOFPANEL

REEFER PARTS

Pos.	Art.	Descrip.	Obs.
	03054	Roof Panel Reeferco Panel techo	1230x2350 mm 6 Corr. 73/45 mm



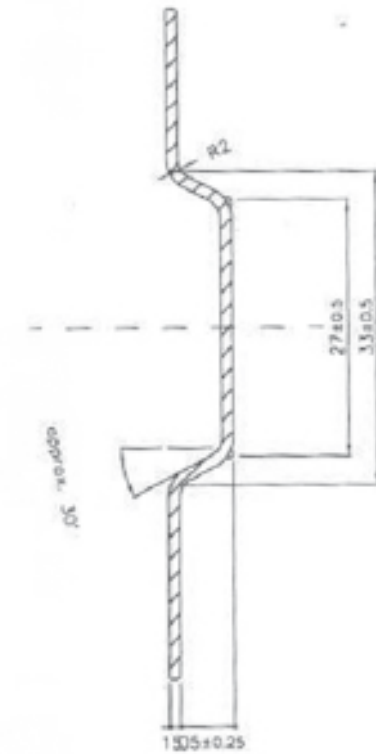
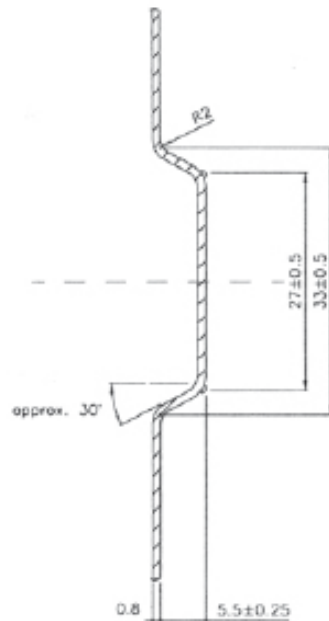
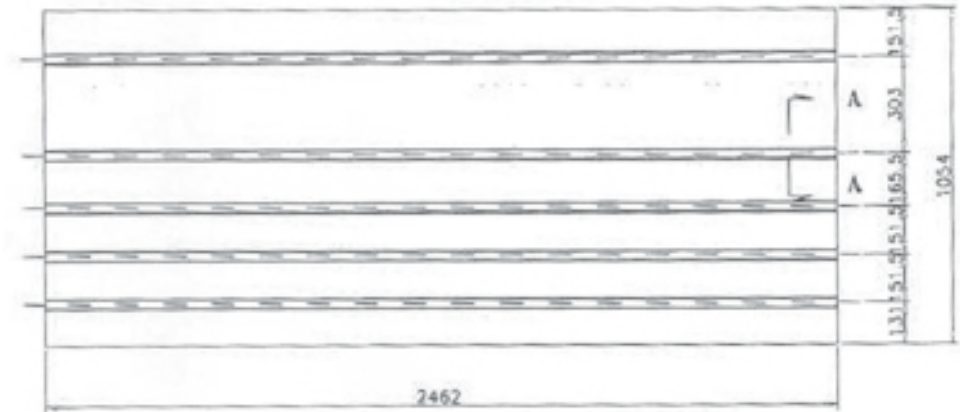
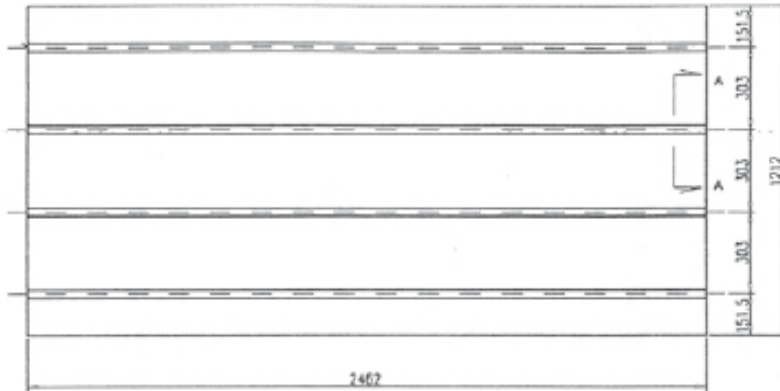
StarBox International BV
Van Weerden Poelmanweg 9
3088 EA Rotterdam
The Netherlands

Tel. Central Office (+31) 104 831 755
Tel. Valencia Office (+34) 605 277 439
info@starboxintl.com
www.starboxintl.com

R10

REEFERCO SIDE PANEL & START SIDE PANEL

Pos.	Art.	Descrip.	Obs.
Left Izq.	03057	Side Panel Main Reeferco Panel lateral exterior	1212x2462 mm 4 Corr. 33/27 mm
Right dch.	03062	Start Side Panel Reeferco Panel lateral exterior primero	MGSS 1054x2462 mm 5 Corr. 33/27 mm



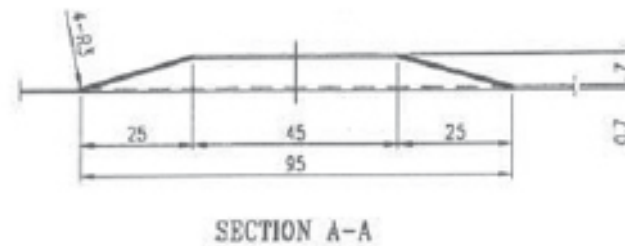
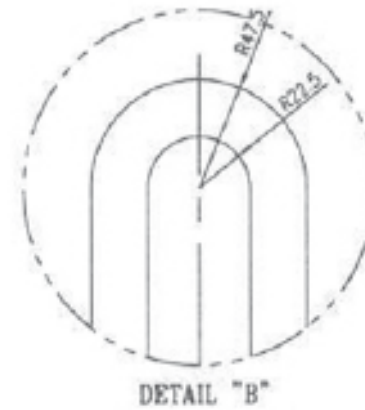
SECTION A-A

REEFERCO SIDE LINING

REEFER PARTS

Pos.	Art.	Descrip.	Obs.
------	------	----------	------

Left Izq.		Side Lining Reeferco PG-013-01 Panel lateral interior	1222x2181 mm stainless steel SUS304 5 corr. 95/45/2010 mm
--------------	--	----------------------------------------------------------	-----------------------------------------------------------------



StarBox International BV
Van Weerden Poelmanweg 9
3088 EA Rotterdam
The Netherlands

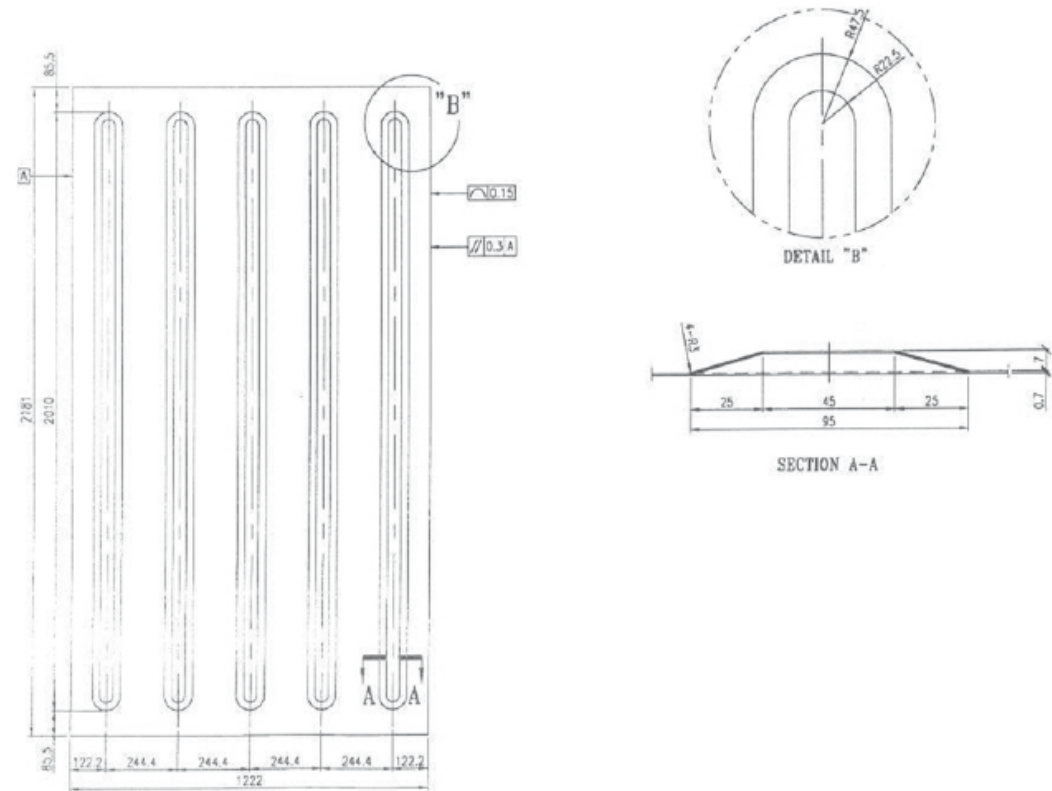
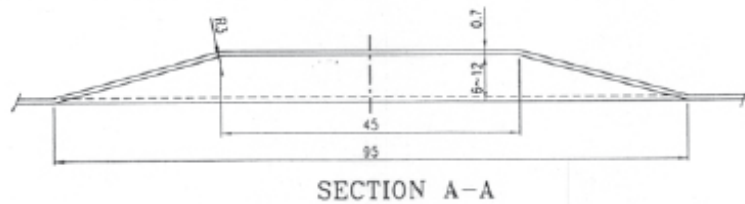
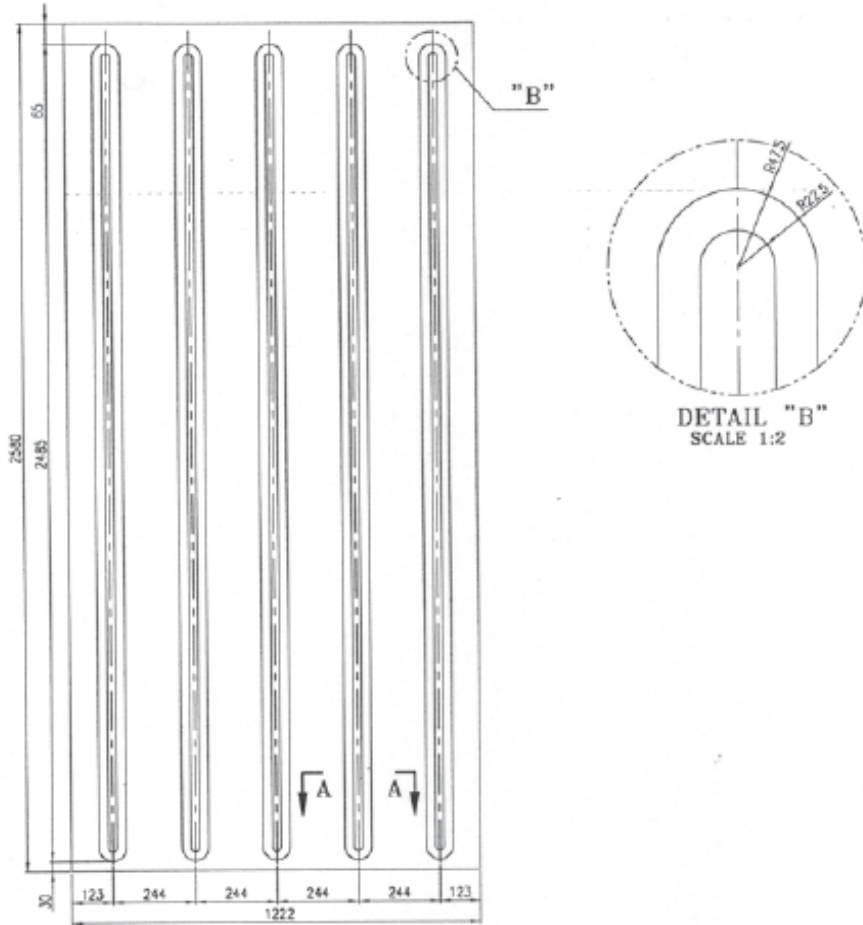
Tel. Central Office (+31) 104 831 755
Tel. Valencia Office (+34) 605 277 439
info@starboxintl.com
www.starboxintl.com

R12

REEFERCO SIDE LINING

REEFER PARTS

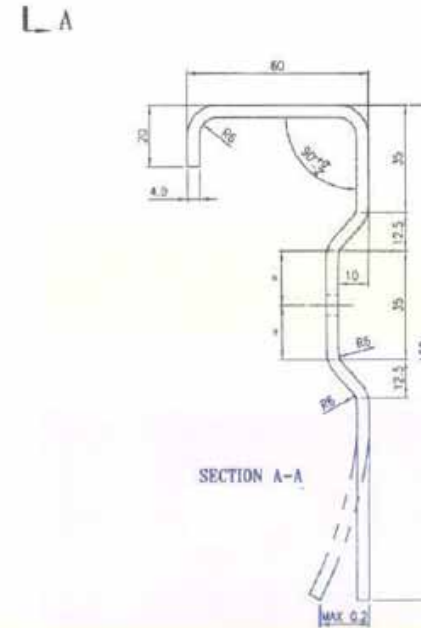
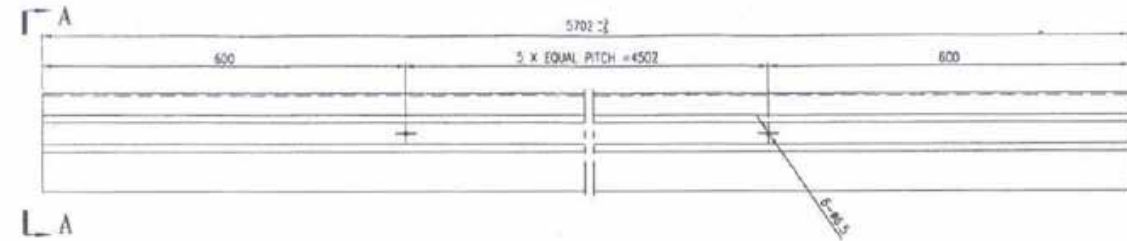
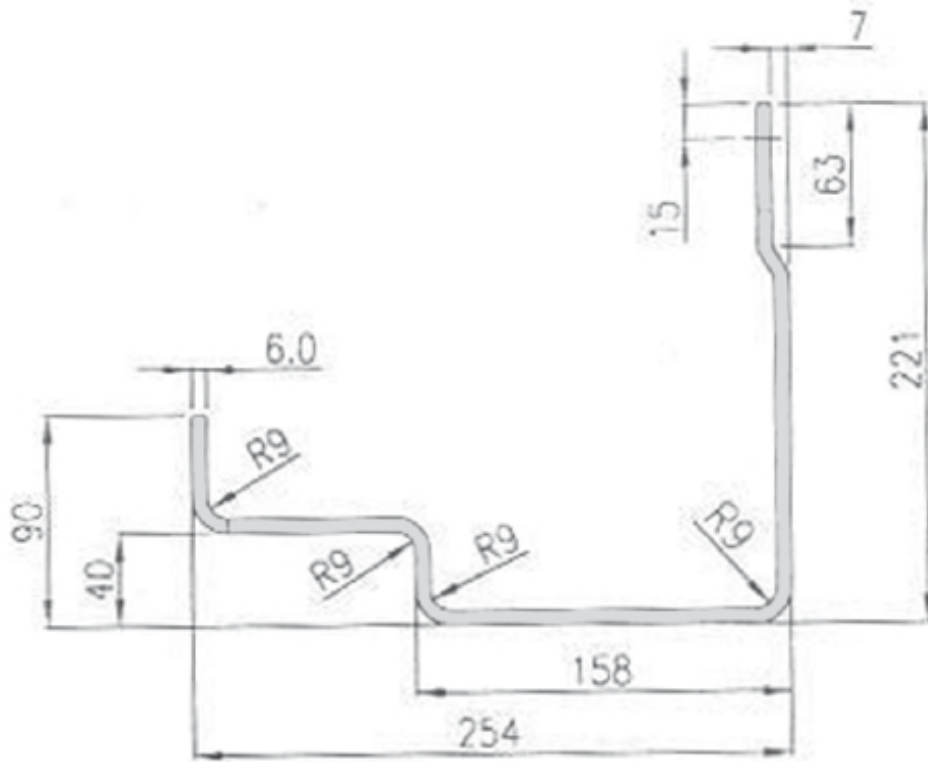
Pos.	Art.	Descrip.	Obs.
Left Izq.	03055	Side Lining Reeferco Panel lateral interior	1222x2580 mm 5 corr. 95/45 mm
Right dch.	03056	Side Lining Reeferco Panel lateral interior	1219x2529 mm 6 corr. 80/25 mm



REEFERCO CORNER POST & TOP RAIL

REEFER PARTS

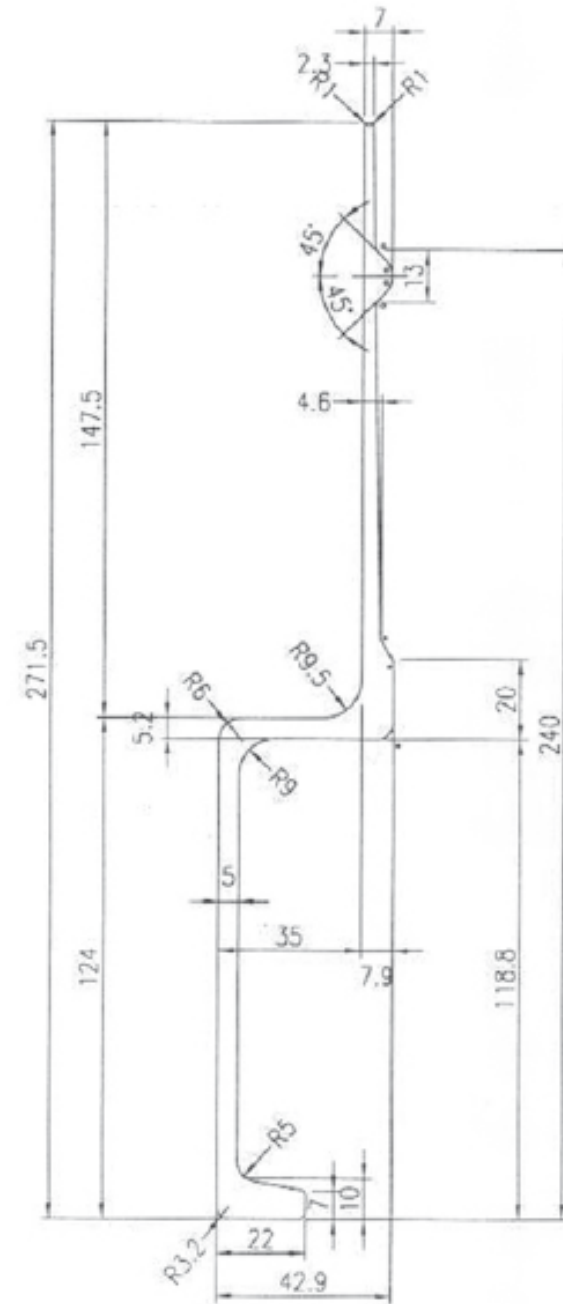
Pos.	Art.	Descrip.	Obs.
Left Izq.		Front Corner Post Reeferco <i>Montante delantero</i>	PE-002-01 CorTen 2660 mm
Right dch.		Top Side Rail Reeferco <i>Cantonera lateral superior</i>	SD-006 CorTen 5702 mm



REEFERCO BOTTOM SIDE RAIL ALUMINIUM

REEFER PARTS

Pos.	Art.	Descrip.	Obs.
Right Dch.		Bottom Side Rail Reeferco <i>Cantonera lateral inferior</i>	PG-005-02 Aluminium 20'



StarBox International BV
 Van Weerden Poelmanweg 9
 3088 EA Rotterdam
 The Netherlands

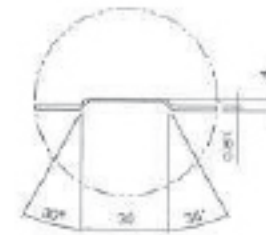
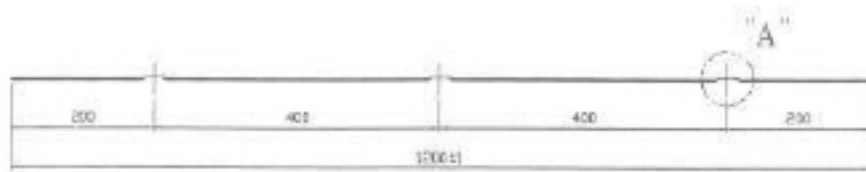
Tel. Central Office (+31) 104 831 755
 Tel. Valencia Office (+34) 605 277 439
info@starboxintl.com
www.starboxintl.com

R15

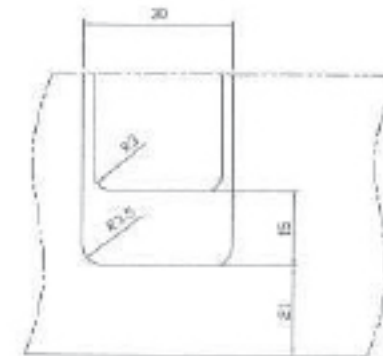
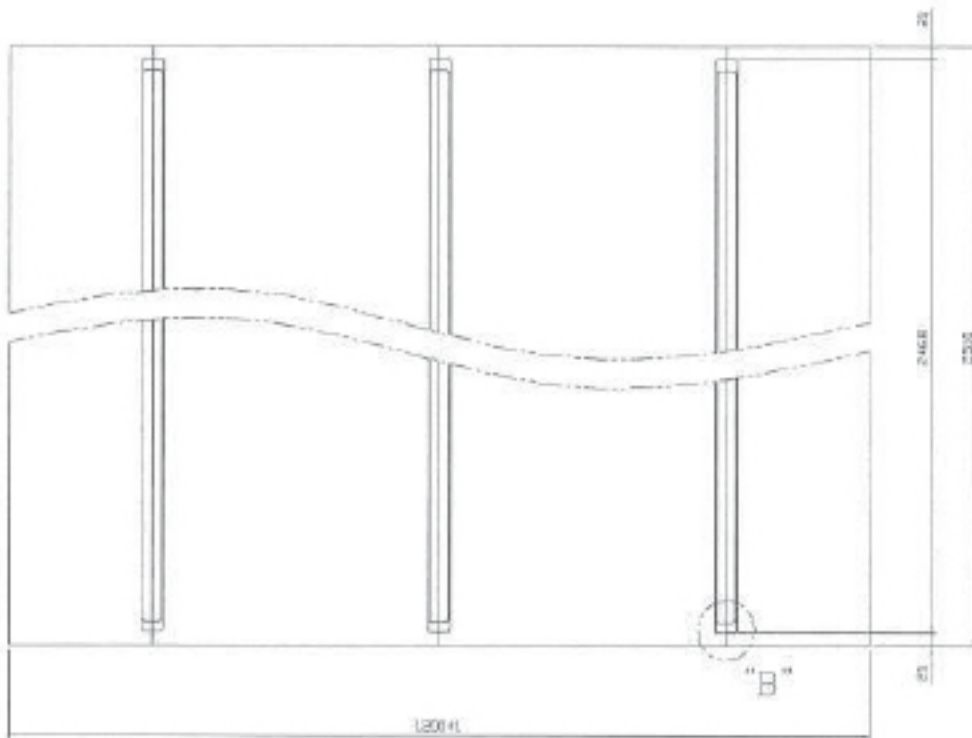
MCI SIDE PANEL

REEFER PARTS

Pos.	Art.	Descrip.	Obs.
Left Izq.		MCI Side Panel 7162252 Panel lateral exterior	t0.8x1219x2510 mm MGSS 3 Corr.



DETAIL "A"



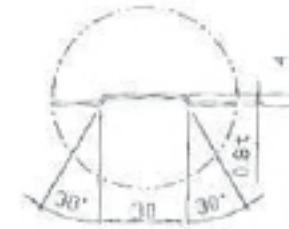
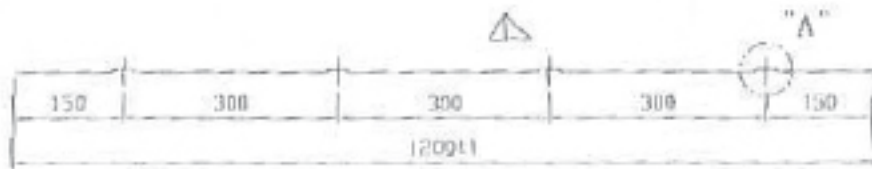
DETAIL "B"



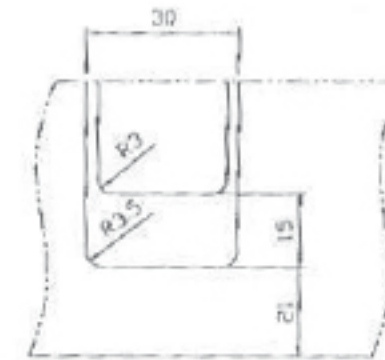
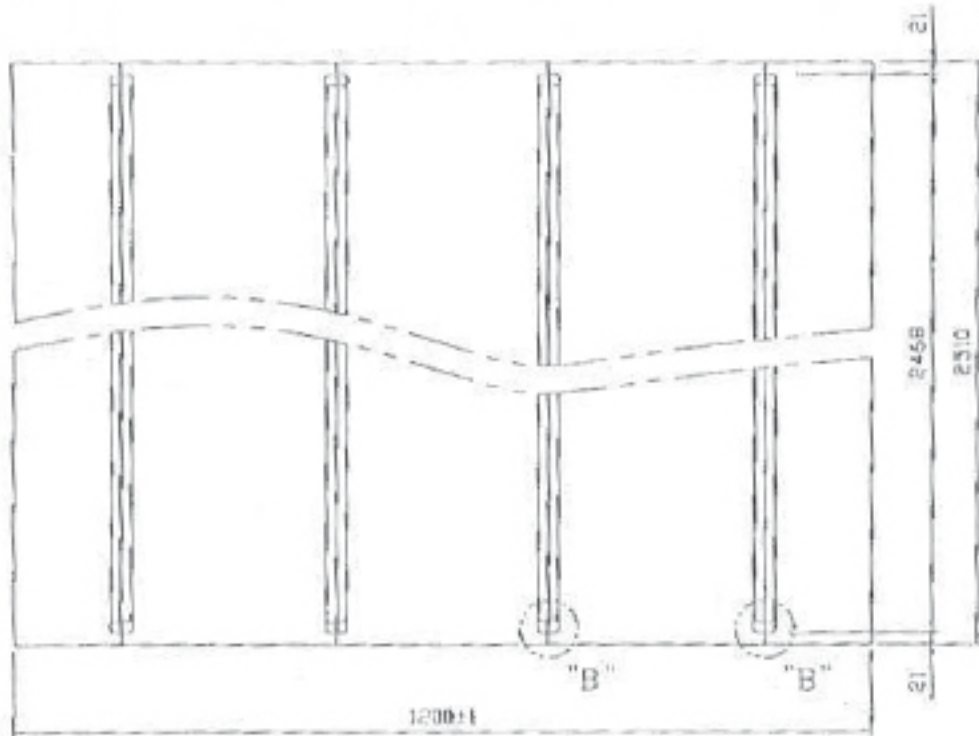
DETAIL "C"

MCI SIDE PANEL

Pos.	Art.	Descrip.	Obs.
Left Izq.	03063	MCI Side Panel Panel lateral exterior	t0.8x1200x2510 mm MGSS 4 Corr.



DETAIL "A"



DETAIL "B"

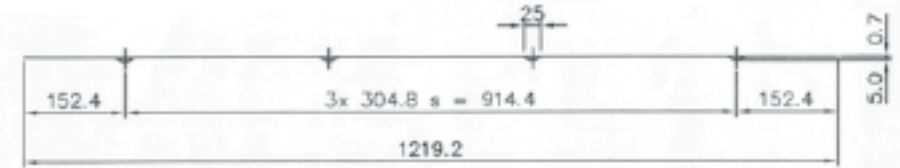
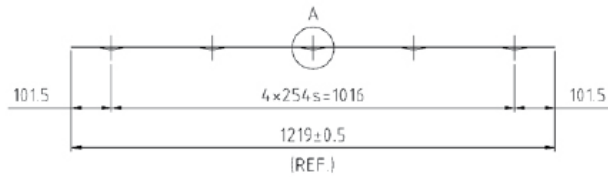


DETAIL "C"

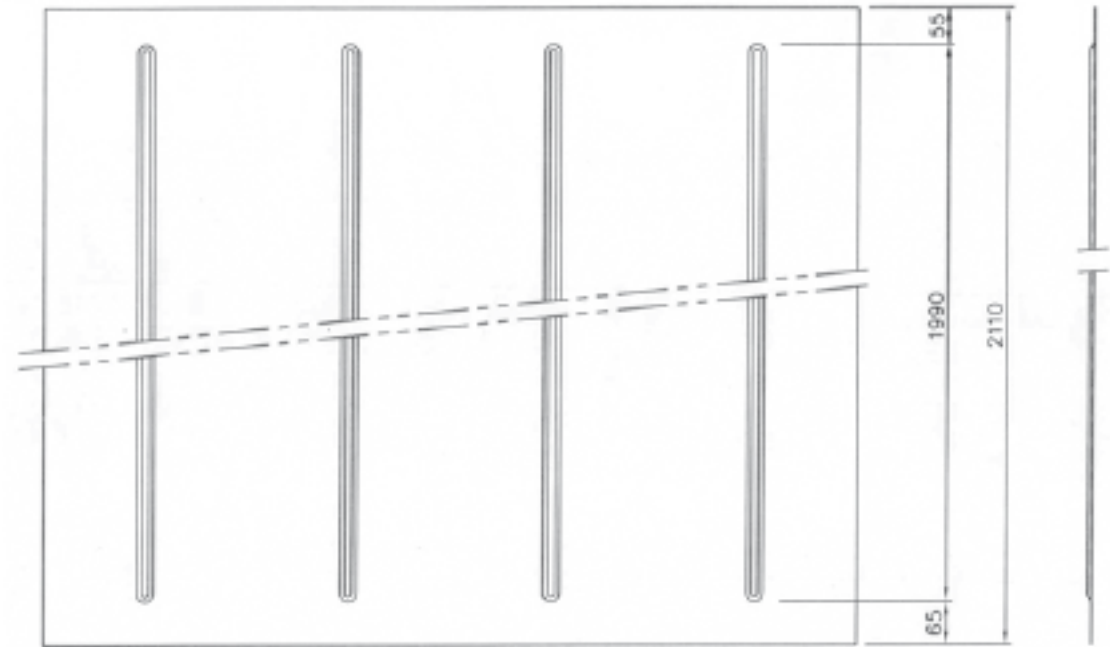
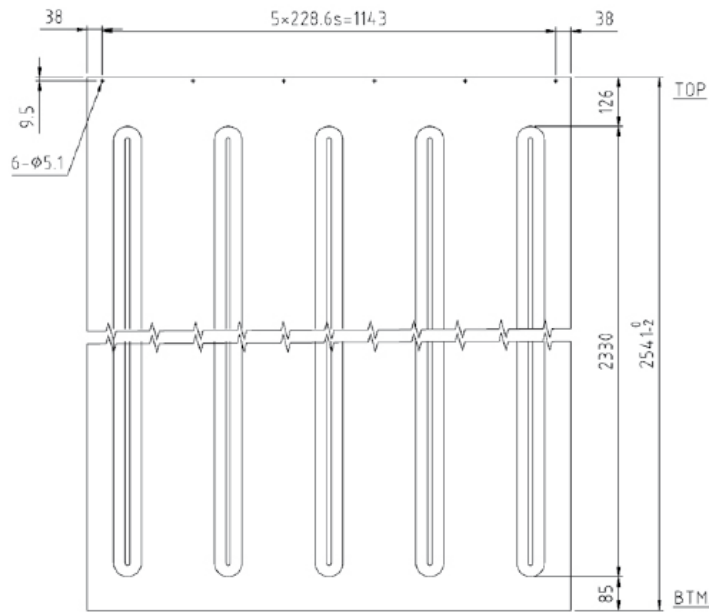
REEFER PARTS

MCI SIDE LINING

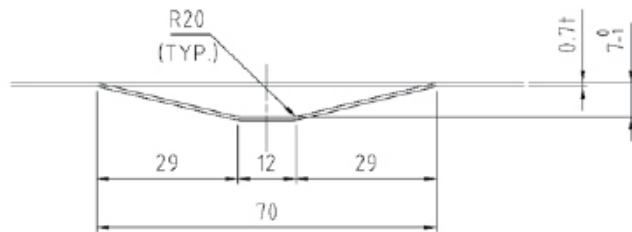
Pos.	Art.	Descrip.	Obs.
Left Izq.		Side Lining HC MCI 7762207A Panel lateral interior	t0.7x1219x2541 mm 5 Corr. 70/12/2330 mm
Right dch.	03046	Side Lining HC MCI Panel lateral interior	t0.7x1219.2x2110 mm SUS304 4 corr. 80/25/1990 mm



TOP



BTM



REEFER PARTS

StarBox International BV
Van Weerden Poelmanweg 9
3088 EA Rotterdam
The Netherlands

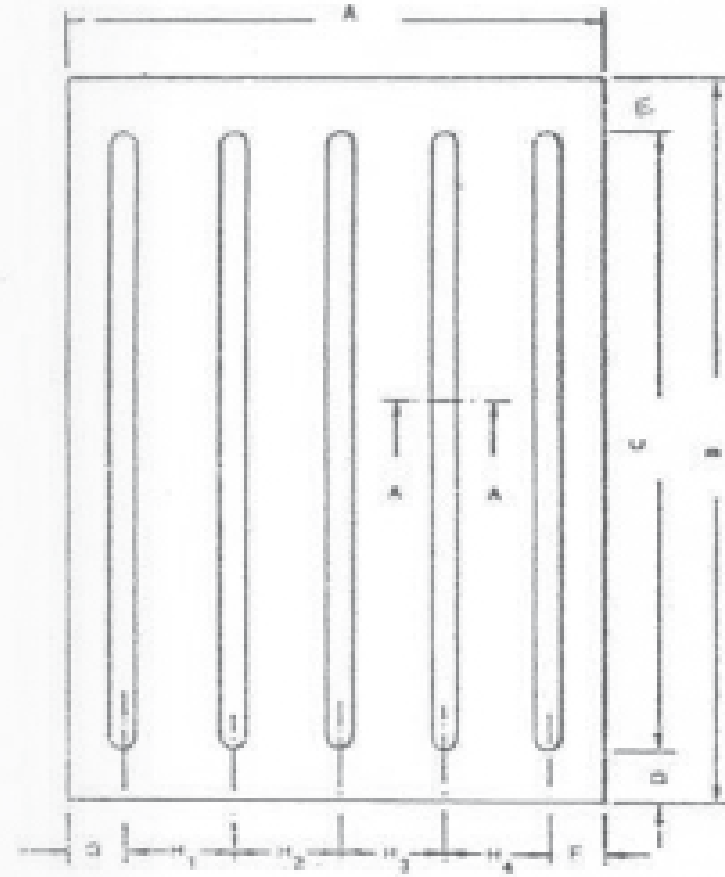
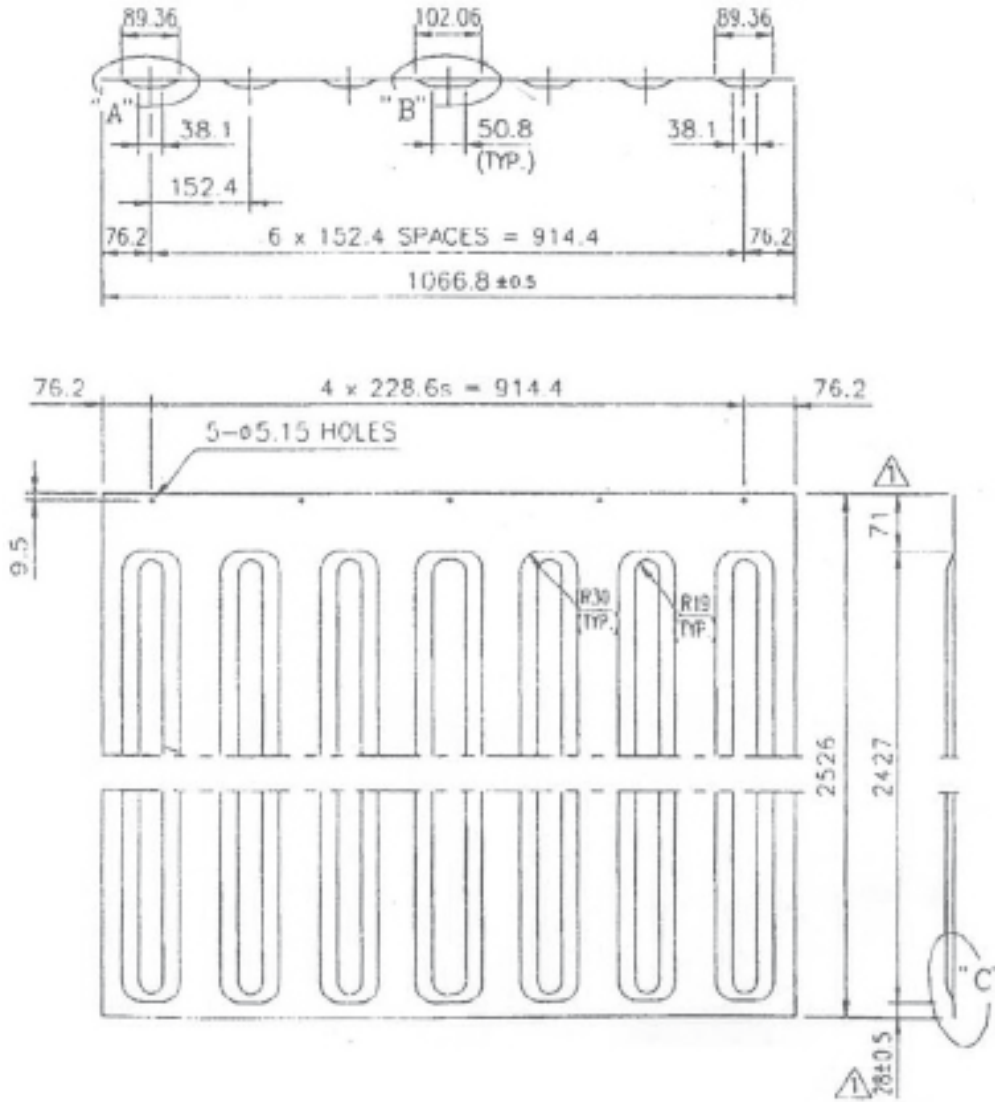
Tel. Central Office (+31) 104 831 755
Tel. Valencia Office (+34) 605 277 439
info@starboxintl.com
www.starboxintl.com

R18

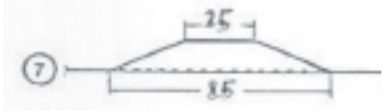
JINDO SIDE LINING & REPAIR LINING

REEFER PARTS

Pos.	Art.	Descrip.	Obs.
Left Izq.		Side Lining Jindo Panel lateral interior	1066.8x2526 mm 5 corr. 102/50 + 2 corr. 89/38
Right Dch.		Repair Lining Jindo Panel lateral para parchear	t0.8x1280x870 mm 5 corr. 85/25



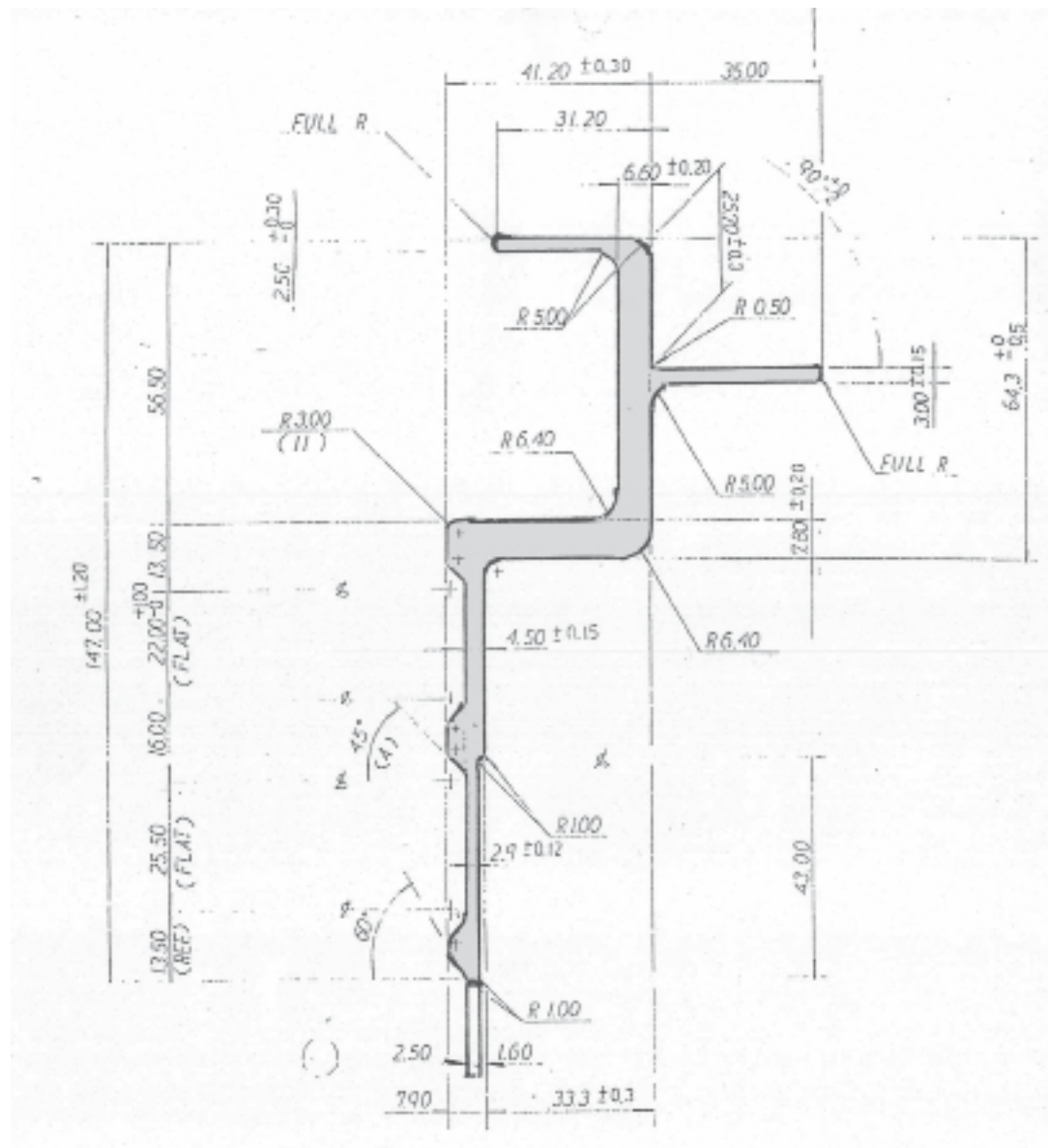
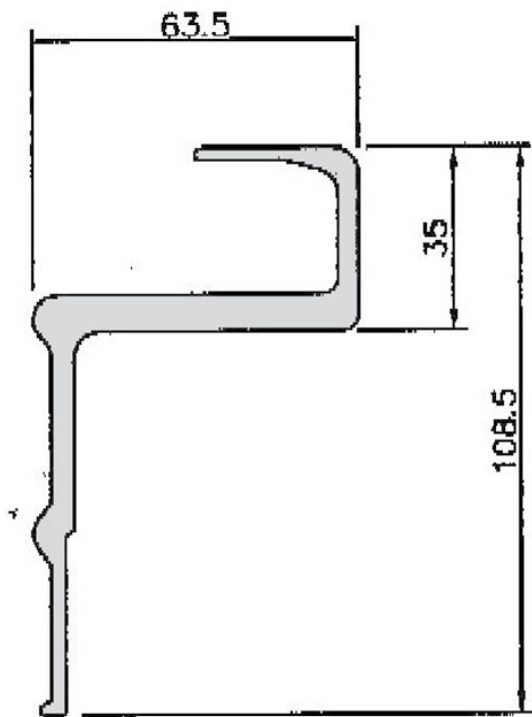
Repair Lining Jindo			
A =	1280 mm	H1 =	255 mm
B =	870 mm	H2 =	255 mm
C =	620 mm	H3 =	255 mm
D =	125 mm	H4 =	255 mm
E =	125 mm	Depth. Corr. =	5 mm
F =	130 mm	Nr. of Corr. =	5
G =	130 mm	Mat. Thickness =	0.8 mm



JINDO TOP RAIL

REEFER PARTS

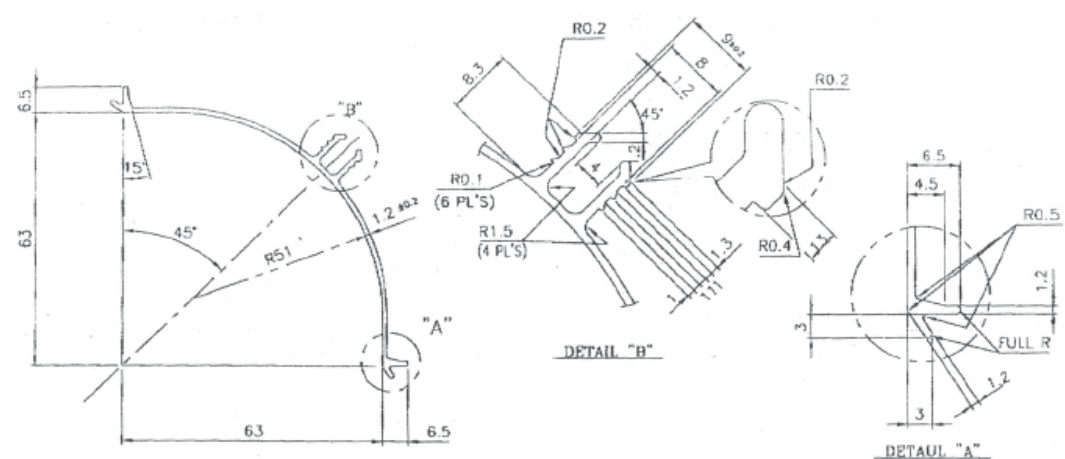
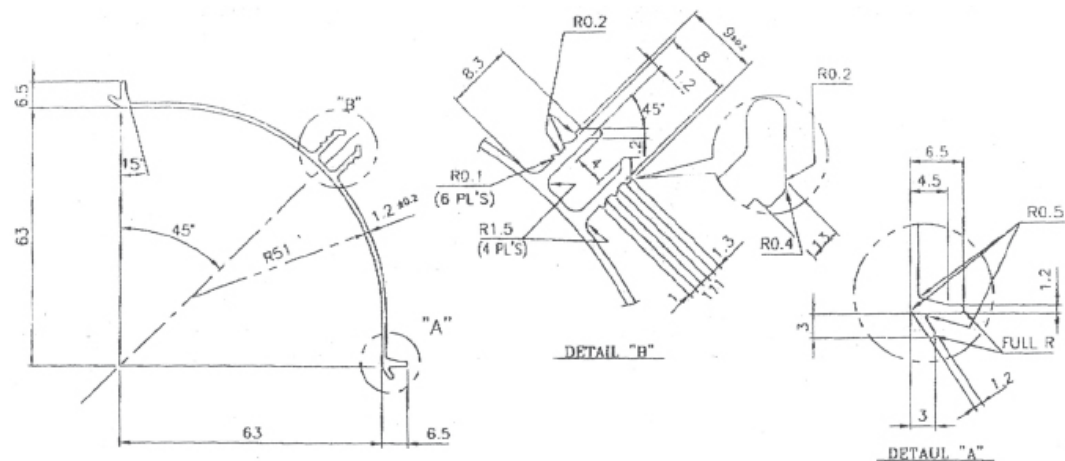
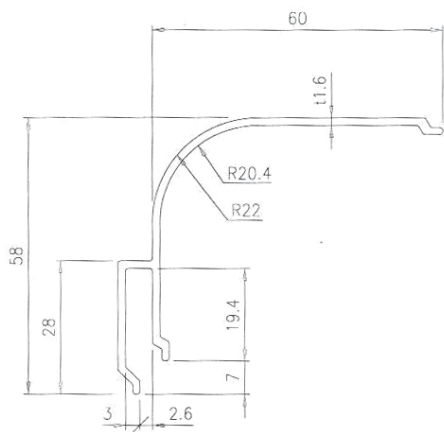
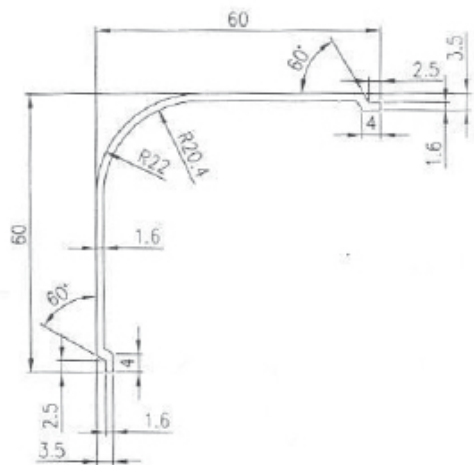
Pos.	Art.	Descrip.	Obs.
Left Izq.	03094	Top Rail Jindo J002-0316 Cantonera superior	Aluminium 20'
Right Dch.	03045	Top Rail Jindo JAD-01-01 Cantonera superior	Aluminium 20'



ANGLE COVER REEFERCO & MCI

REEFER PARTS

Pos.	Art.	Descrip.	Obs.
Left Up Izq. arr.	03060	Angle Cover Outer Reeferco Angulo redondo	PF-005-01 20' Aluminium
Left Down Izq. abj.		Angle Cover Outer Reeferco Angulo redondo	PF-005-001 20' Aluminium
Right Up Dch. arr.	03034	Angle Cover Outer MCI Angulo redondo	7262604 20' Aluminium
Right Down Dch. abj.		Angle Cover Inner MCI Angulo redondo soporte	7262708 20' Aluminium



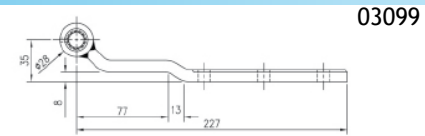
StarBox International BV
Van Weerden Poelmanweg 9
3088 EA Rotterdam
The Netherlands

Tel. Central Office (+31) 104 831 755
Tel. Valencia Office (+34) 605 277 439
info@starboxintl.com
www.starboxintl.com

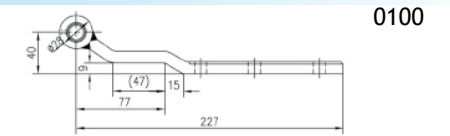
R21

DOOR HINGES

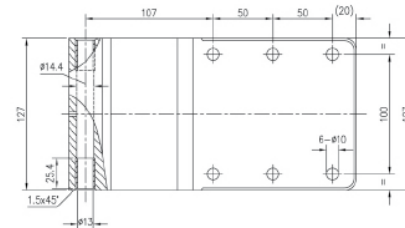
Pos.	Art.	Descrip.	Obs.
	03099	Door hinge CIMC Bisagra	SS41
	03100	Doorhinge CIMC Bisagra	SS41
	03101	Doorhinge CIMC Bisagra	SS41
		Doorhinge CIMC 06-022 Bisagra	Aluminium
		Doorhinge CIMC 06-023 Bisagra	Aluminium



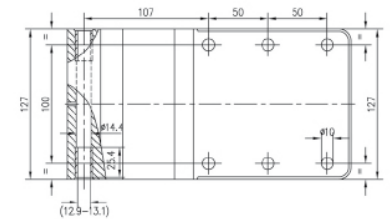
03099



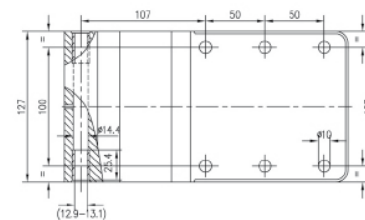
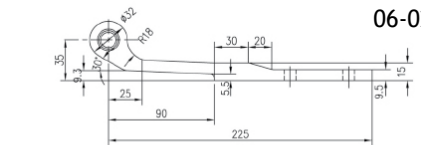
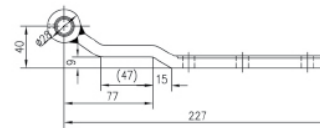
0100



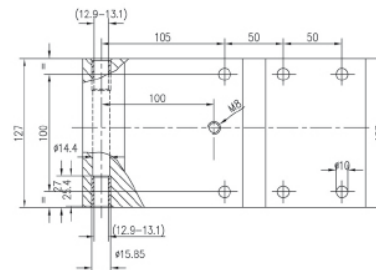
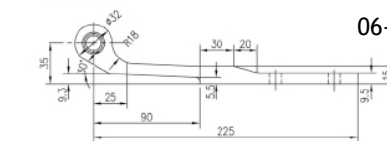
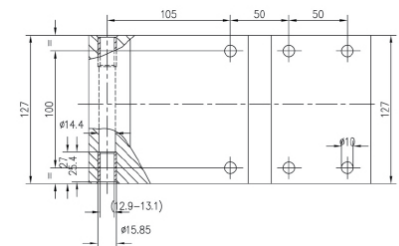
03101



06-022



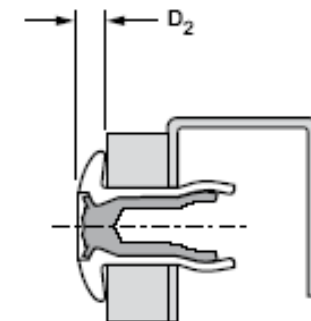
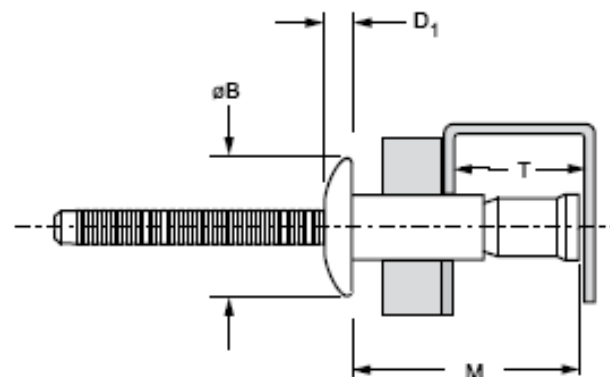
06-023



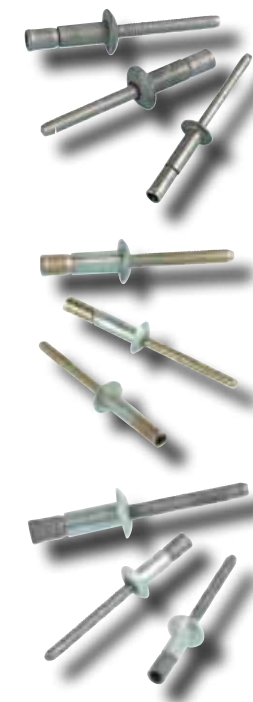
REEFER PARTS

MONOBOLT

Pos.	Art.	Descrip.	Obs.
		Monobolt 2711 stainless steel <i>Remache Monobolt inox.</i>	Protruding head Body: austenitic stainless steel; polished Stem: austenitic stainless steel; natural
		Monobolt 2771 carbon steel <i>Remache Monobolt acero</i>	Protruding head Body: carbon steel; zinc plated; clear trivalent passivated with top seal Stem: medium carbon steel; zinc plated; clear trivalent with top seal
		Monobolt 2774 aluminium <i>Remache Monobolt aluminio</i>	Protruding head Body: aluminium alloy (5% Mg); polished Stem: aluminium alloy; natural

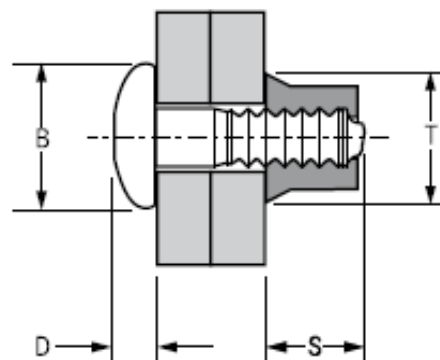
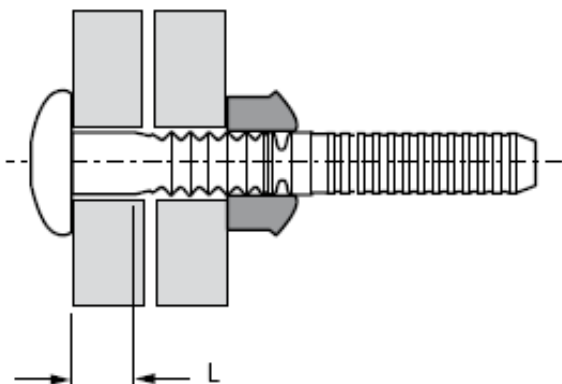


Art.	Descrip.	Ø nom.	mat. min.	mat. max.	Ø drill min.	Ø drill max.	M max.	Ø B	D1 max.	T min.	D2 max.
12032	Monobolt 2711-00613	4.8	1.63	6.86	4.9	5.1	18.2	10.1	2.1	10.5	1.9
12033	Monobolt 2711-00617	4.8	1.63	11.10	4.9	5.1	24.5	10.1	2.1	13.5	1.9
12047	Monobolt 2711-00817	6.4	2.03	9.53	6.6	7.0	23.7	13.4	2.9	12.2	2.7
	Monobolt 2711-00824	6.4	2.03	15.87	6.6	7.0	33.0	13.4	2.9	13.4	2.7
	Monobolt 2771-00613	4.8	1.63	6.86	4.9	5.1	18.2	10.1	2.1	10.5	1.9
	Monobolt 2771-00617	4.8	1.63	11.10	4.9	5.1	24.5	10.1	2.1	13.5	1.9
12039	Monobolt 2771-00817	6.4	2.03	9.53	6.6	7.0	23.7	13.4	2.9	12.2	2.7
12043	Monobolt 2771-00824	6.4	2.03	15.87	6.6	7.0	33.0	13.4	2.9	16.4	2.7
	Monobolt 2771-01228	10.0	3.04	15.88	9.9	10.4	36.2	20.3	4.1	22.3	4.0
12008	Monobolt 2774-00613	4.8	1.63	6.86	4.9	5.1	18.4	10.1	2.1	10.5	1.9
12031	Monobolt 2774-00617	4.8	1.63	11.10	4.9	5.1	24.1	10.1	2.1	13.0	1.9
12034	Monobolt 2774-00817	6.4	2.03	9.53	6.6	7.0	24.6	13.4	2.9	13.0	2.7
12038	Monobolt 2774-00824	6.4	2.03	9.53	6.6	7.0	34.7	13.4	2.9	18.1	2.7

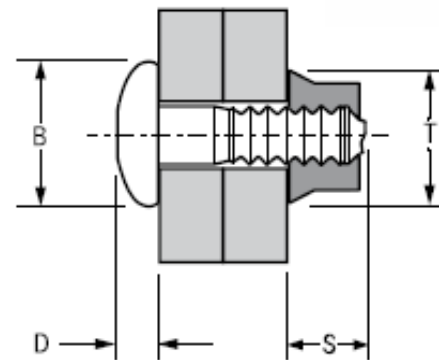


HUCKBOLT

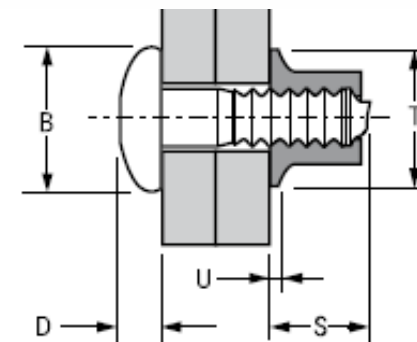
Pos.	Art.	Descrip.	Obs.
		Lockbolt Avdelok 2801 <i>Remache Avdelok</i>	Brazier head Pin: Aluminium alloy, polished
		Full Collar 2837 <i>Aro estándar</i>	Aluminium alloy, natural
		Flanged Collar 2839 <i>Aro con cuello</i>	Aluminium alloy, natural



Full Collar



Half Collar



Flanged Collar

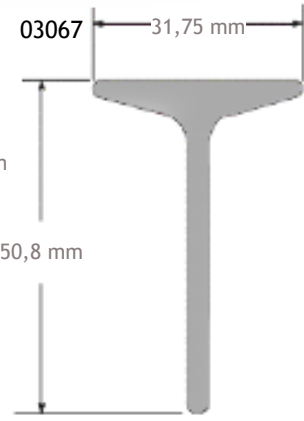
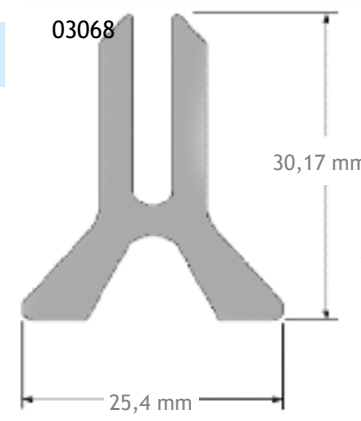
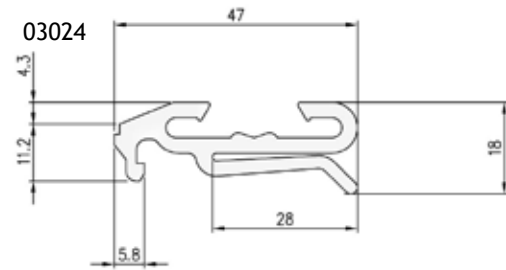
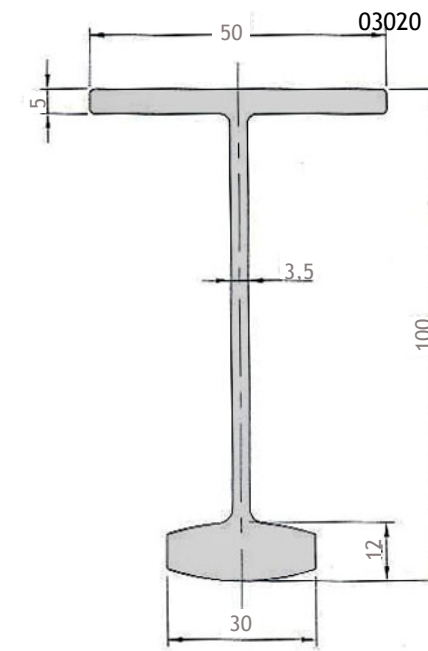
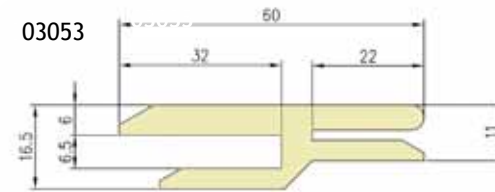
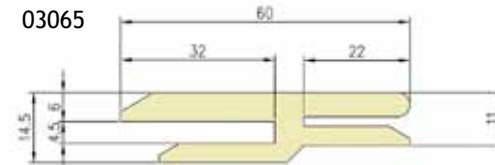
Art.	Descrip.	Ø nom.	mat. min.	mat. max.	Ø drill	L	B max.	D max.	T max.
12081	Avdelok 02801-00804	6.4	4.8	7.9	6.6	41.02	13.3	4.1	
12016	Avdelok 02801-01204	9.6			9.8		20.0	6.6	
12017	Avdelok 02801-01206	9.6	6.4	12.7	9.8	57.2	20.0	6.6	
12018	Avdelok 02801-01208	9.6	9.5	15.8	9.8	60.2	20.0	6.6	
12019	Avdelok 02801-01210	9.6	12.7	19.1	9.8	63.5	20.0	6.6	
12020	Avdelok 02801-01212	9.6	15.9	22.2	9.8		20.0	6.6	
	Avdelok 02801-01214	9.6	19.1	25.4	9.8	69.9	20.0	6.6	
	Avdelok 02801-01216	9.6	22.2	28.6	9.8	72.9	20.0	6.6	
12082	Flanged Collar 02839-00800	6.4							10.3
12021	(Full) Collar 02837-01200	9.6							15.5
12085	Flanged Collar 02839-01200	9.6							20.0

REEFER PARTS

VARIOUS

REEFER PARTS

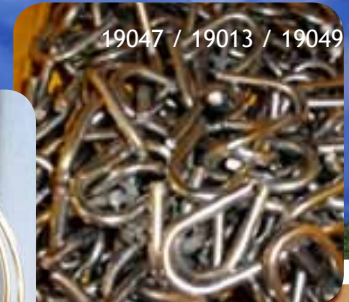
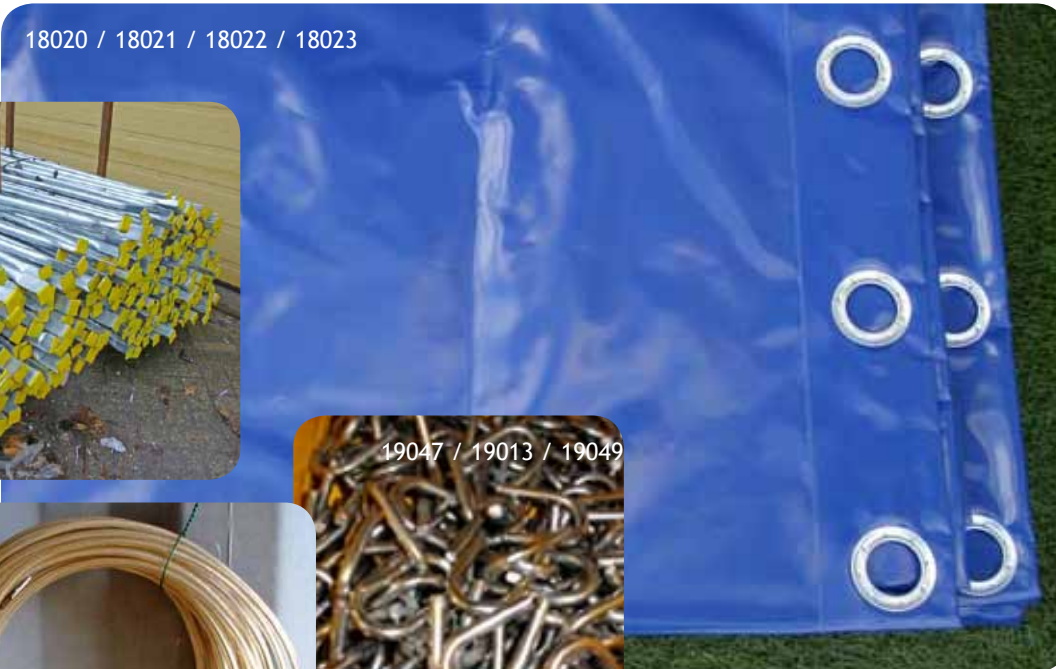
Pos.	Art.	Descrip.	Obs.
	03033	Drain Tube <i>Desagüe</i>	Pvc
	03035	Kazoo Ø 40 mm	
	03069	Kazoo Ø 32,5 mm	
	03006	Drainpipe assembly <i>Desagüe</i>	MCI7814200
	03012	Drainplug <i>Tapón de drenaje</i>	
	03047	Drainplug 31x26 <i>Tapón de drenaje</i>	
	03043	Stud	Pvc
	03039	T-clip aluminium 75 mm	
	03040	T-clip aluminium 90 mm	
	03020	Crossmember 100 mm <i>Travesaño</i>	Aluminium
	03064	Crossmember 124 mm <i>Travesaño</i>	Aluminium
	03065	Doorledge CIMC <i>Marco puerta</i>	Pvc l = approx. 191 cm
	03053	Doorledge CIMC <i>Marco puerta</i>	pvc l = approx. 212 cm
	03067 03068	T-floor repair kit <i>Kit suelo T para reparaciones</i>	Aluminium
	03024	Door frame profile CIMC <i>Marco puerta CIMC</i>	Pvc



TARPAULIN - TIR LINE

TARPAULIN

Pos.	Art.	Descrip.	Obs.
	18007	Tarpaulin Open Top 20' <i>Toldo</i>	
	18008	Tarpaulin Open Top 40' <i>Toldo</i>	
	18020	Tarpaulin Open Top 20' <i>Toldo</i>	Med Union type ATZ
	18021	Tarpaulin Open Top 20' <i>Toldo</i>	Sicom type APP
	18022	Tarpaulin Open Top 40' <i>Toldo</i>	Med Union type HA1
	18023	Tarpaulin Open Top 40' <i>Toldo</i>	Sicom type GE1
	18003	TIR line 21 m <i>Cable TIR</i>	
	18004	TIR line 32 m <i>Cable TIR</i>	
	18005	TIR line 34 m <i>Cable TIR</i>	
	18006	TIR line 37,5 m <i>Cable TIR</i>	
	18009	End Piece TIR Line 6 mm <i>Acabado cable TIR 6 mm</i>	Complete
	18017	Tarpaulin Ring Ø 40 mm <i>Ojo para toldos</i>	Galvanised
	19047	U-stirrup 25 mm <i>Arco</i>	Blanc Steel
	19013	U-stirrup 30 mm <i>Arco</i>	Blanc Steel
	19049	U-stirrup 35 mm <i>Arco</i>	Blanc Steel
	19048	D-ring 55 mm Ø 6 mm <i>Anillo D</i>	Galvanised
	18029	Tarpaulin repair patch <i>Parche para reparar toldos</i>	200 x 200 mm
	18030	Tarpaulin repair patch <i>Parche para reparar toldos</i>	300 x 100 mm
	02030	Roofbow standard <i>Arquillo estándar</i>	2320 mm Pressed and bent



**NEW!!!
REPAIR PATCH**

StarBox International BV
Van Weerden Poelmanweg 9
3088 EA Rotterdam
The Netherlands

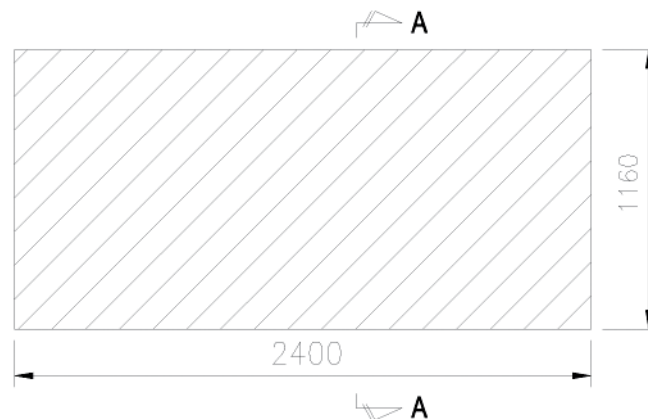
Tel. Central Office (+31) 104 831 755
Tel. Valencia Office (+34) 605 277 439
info@starboxintl.com
www.starboxintl.com



PLYWOOD - FLOOR SCREW

Pos.	Art.	Descrip.	Obs.
	07001	Plywood Apitong <i>Tablero Apitong Plywood</i>	2400x1160x28 mm Incl. 45° Cut
	07002	Plywood Apitong <i>Tablero Apitong Plywood</i>	2440x1220x28 mm
	07007	Birchfloor palletwide <i>Tablero abedul palletwide</i>	2500x1250x27 mm
	12045	Floor screw <i>Tornillo de suelo</i>	¼" x 2½" Head 12 mm
	12015	Floor screw <i>Tornillo de suelo</i>	¼" x 2½" Head 15 mm
	12036	Floor screw <i>Tornillo de suelo</i>	5/16" x 2½" Head 15 mm

WOODEN FLOORING



StarBox International BV
Van Weerden Poelmanweg 9
3088 EA Rotterdam
The Netherlands

Tel. Central Office (+31) 104 831 755
Tel. Valencia Office (+34) 605 277 439
info@starboxintl.com
www.starboxintl.com

W

TAPER BOSS - LOCKING HEADER - HEADERLOCK PLATE

Pos.	Art.	Descrip.	Obs.
	06021	Taper boss	CC510
	06004	Locking hammer	type 1
	06017	Square taper boss small	SD44-M10500/8
	06002	Taper pin	122 mm
	06018	Square taper boss large	SD44-M10500/7
	06003	Striker plate	
6.032	Set locking hammer complete	1x tube 1x taper pin 2x striker plate 1x locking hammer	
	06041	Headerlock hook	
	06028	Headerlock handle Sicom	
	06043	Headerlock plate	110x200 mm with hole
	06038	Headerlock round	Ø x l = 30x160 mm
	06016	Headerlock spring	Ø x h = 43x110 mm
	06039	Headerlock round	Ø x l = 16x170 mm
	06042	Headerlock plate	130x150 mm with hole
	06040	Headerlock ring	with hole Ø 30 mm

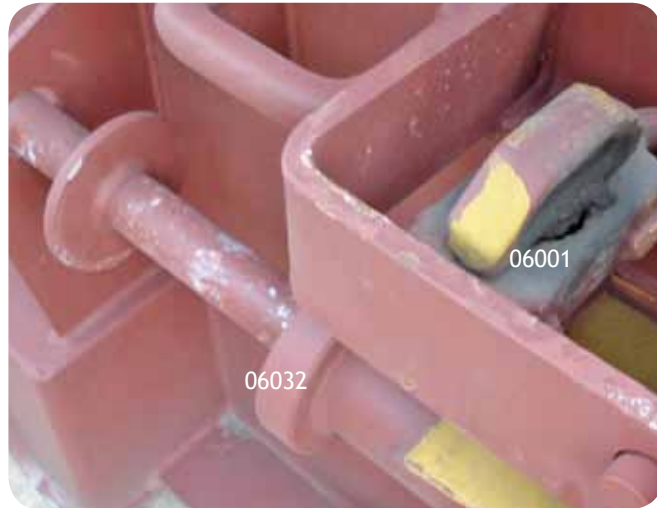


FLATRACK PARTS

TWISTLOCK - COUNTER BALANCE SPRING - ROUND OMEGA

FLATRACK PARTS

Pos.	Art.	Descrip.	Obs.
	06001	Twistlock Flatrack	FR4C1026
	06013	Round	Ø 20 mm h x w = 200 x 300 mm
	06009	Round	Ø 20 mm h x w = 120 x 80 mm
	06007	Round	Ø 20 mm h x w = 100 x 120 mm
	06010	Round omega	Ø 20 mm h x w 100 x 100 mm
	06045	Round omega	Ø 20 mm h x w = 100 x 120 mm
	06012	Twistlock arm	Ø 20 mm h x w x h = 180 x 120 x 50 mm
	06008	Round	Ø 20 mm h x w = 150 x 135 mm
	06024	Headerlock spring Sicom	Ø x h 53 x 100 mm
	06047	Counter balance spring	
	06051	S-hook	for counter balance spring

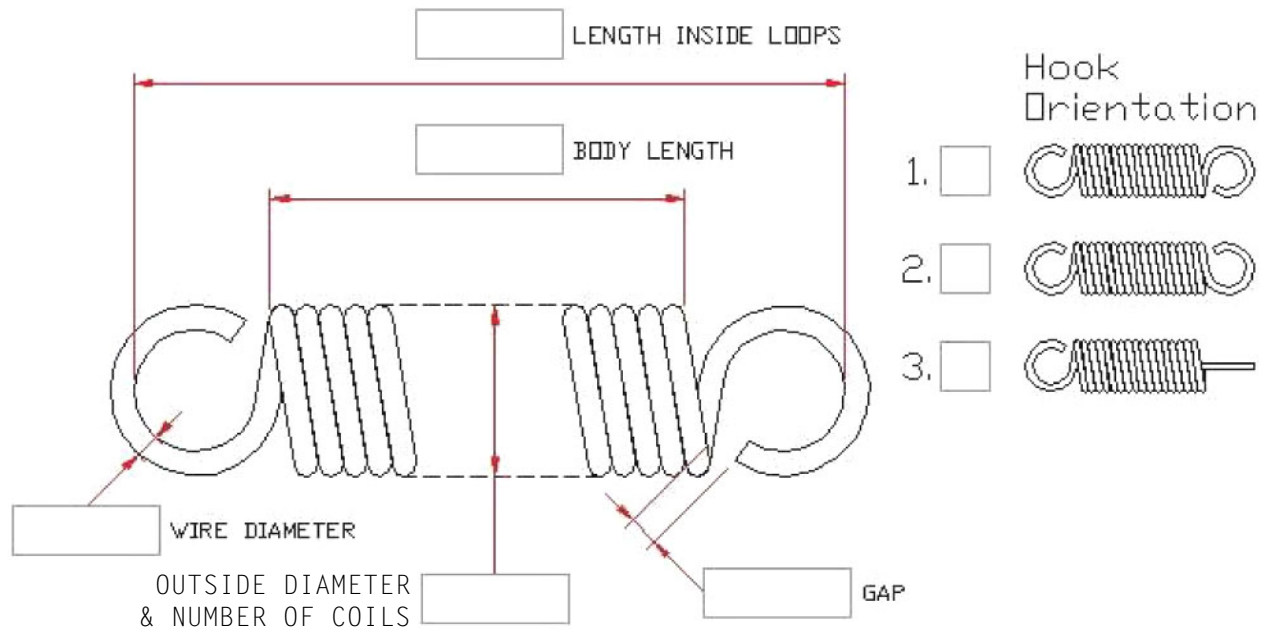


StarBox International BV
Van Weerden Poelmanweg 9
3088 EA Rotterdam
The Netherlands

Tel. Central Office (+31) 104 831 755
Tel. Valencia Office (+34) 605 277 439
info@starboxintl.com
www.starboxintl.com

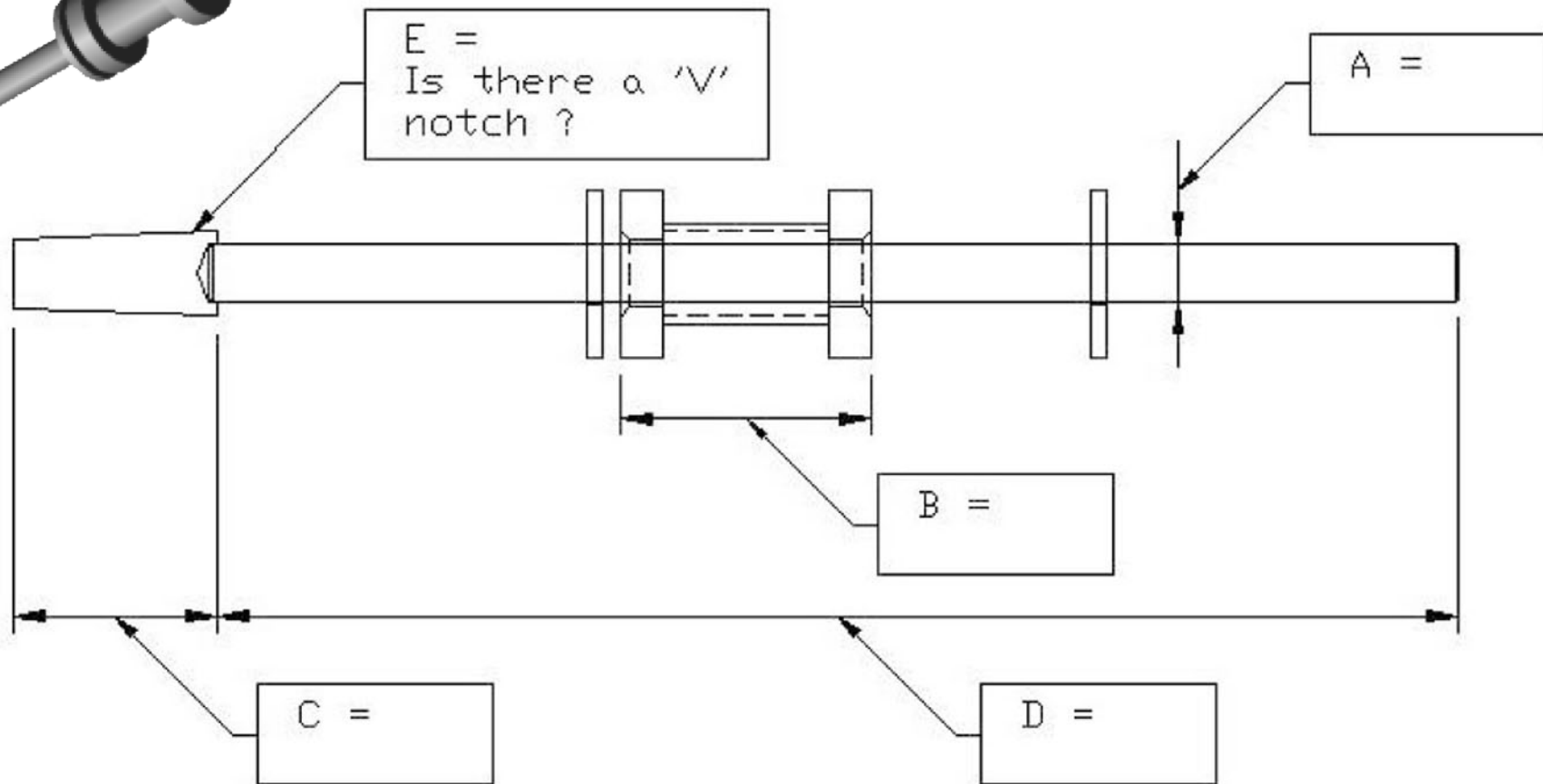
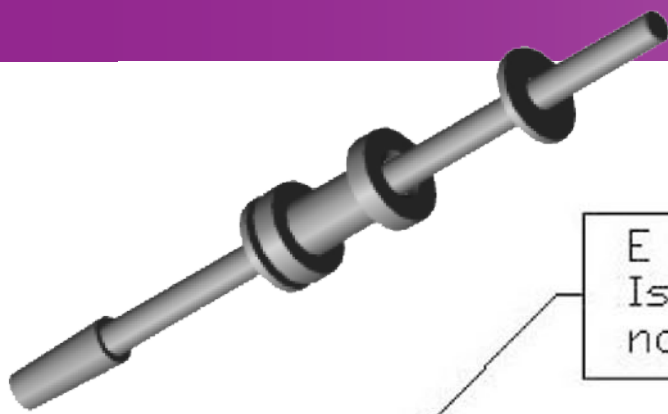
F2

COUNTER BALANCE SPRING



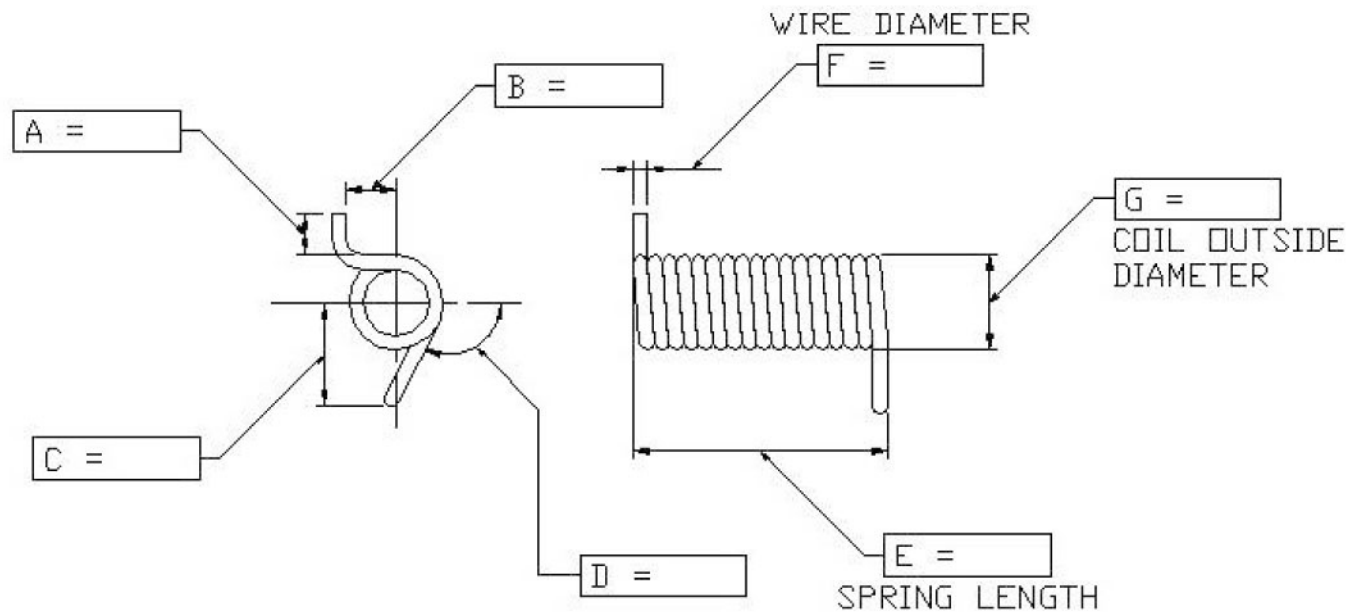
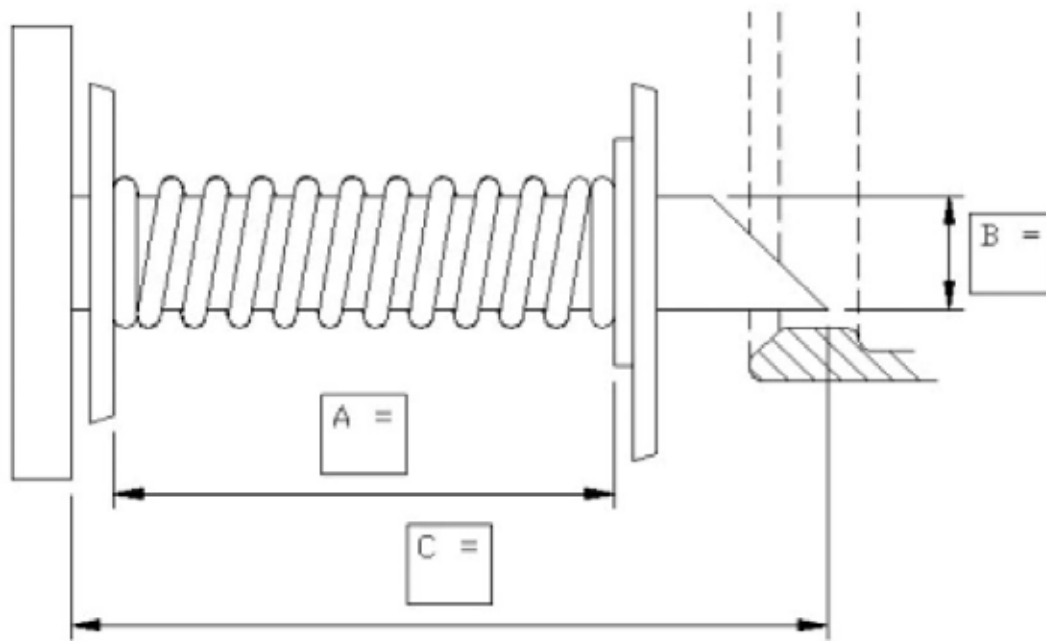
FLATRACK TYPE _____ MANUFACTURER _____
 REFERENCE NUMBER _____ SERIAL NUMBER _____
 YEAR OF MANUFACTURE _____

LOCKING HAMMER



Please fill in dimensions A, B, C, and D so that we can supply the right part. We also need to know if the Taper pin has a 'V' notch about its circumference (approx 0.5mm deep).

STANDARD HEADER LOCK - LATCH SPRING



GAUGES - CLADDING - DOCUMENT HOLDER

Pos.	Art.	Descrip.	Obs.
	25002	Manometer glycerin <i>Manómetro glicerina</i>	Ø 2,5" 0 - 6 Bar
	25003	Manometer glycerin <i>Manómetro glicerina</i>	Ø 2,5" 0 - 10 Bar
	25004	Manometer glycerin <i>Manómetro glicerina</i>	Ø 2,5" 0 - 10 Bar S/S Connection
	25005	Thermometer glycerine <i>Termómetro glicerina</i>	-20 ... +160 °C
	25006	Thermometer glycerin <i>Termómetro glicerina</i>	-20 ... +200 °C
	25007	Cladding <i>Fleje</i>	stainless steel t0.8 x 50 mm
	25008	Documentholder complete <i>Tubo documentos completo</i>	Ø 75 mm grey
	25011	Manholelid seal <i>Junta trampilla teflonada</i>	PTFE 15 x 10 x 1650 mm
	25022	GRP Glass Reinforced Plastic <i>Lámina GRP</i>	PE-ST 2.0 mm Bright white RAL 9016 t2.0 mm x 1250 mm x 70 m
	25026	Walkway 50 x 480 x 6000 mm <i>Pasarela 50 x 480 x 6000 mm</i>	aluminium 2.5 mm
	25027	Walkway 40 x 400 x 6000 mm <i>Pasarela 40 x 400 x 6000 mm</i>	aluminium 2.5 mm



25003



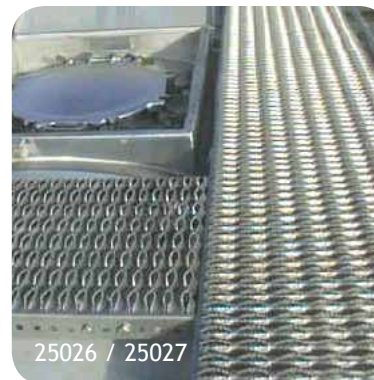
25006



25007



25008



25026 / 25027

TANK PARTS

FLEXI-TANK

Pos.	Art.	Descrip.	Obs.
		Flexi-tank TB/BB	Top/bottom loading, bottom discharge <i>Carga arriba/abajo, descarga abajo</i>
		Flexi-tank TT	Top loading, top discharge <i>Carga arriba, descarga arriba</i>
Bulkhead set			

STS Flexitanks manufactures an improved version with Lloyd's Register Approval (as requested by COA regulations). STS Flexi-tank has been tested for Impact Test and witnessed by Lloyd's Register.

It is an unique type of flexi-tank designed and developed by STS Flexitanks, with capacity ranges from 14.000 to 24.000 litres made by using a blown polyethylene film, designed to transport liquid products in 20' cargo containers.

For shipping of oils, beverages, food products and chemicals. An efficient and favorable alternative to ISO tanks, tanks and usual drums.

STS Flexitanks fabrica una versión mejorada con Certificado de Lloyd's Register (como solicitado en la normativa COA). El STS Flexi-tank ha sido sometido a pruebas de impacto en presencia de Lloyd's Register.

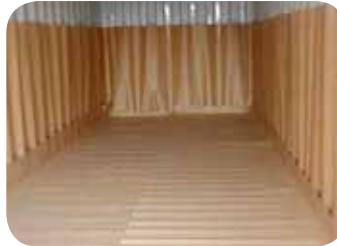
Se trata de un diseño único desarrollado por STS Flexitanks con capacidades de 14.000 hasta 24.000 litros a base de una película polietileno, para el transporte de líquidos en contenedores de 20'.

Para el transporte de aceites, bebidas, productos alimenticios y químicos.

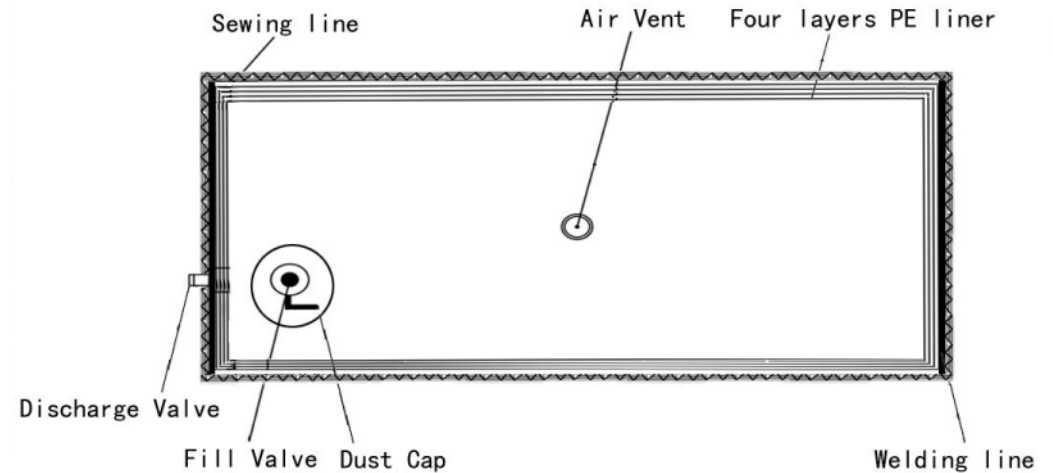
Una alternativa eficiente y cómoda para las cisternas ISO, cisternas en general y barriles.

NOTE
ALL COMMERCIAL AND LEGAL RELATIONSHIPS RELATED WITH STS FLEXI-TANKS WILL BE DIRECTLY AND ENTIRELY WITH SINGAPORE TANK SUPPLY LIMITED, ESPECIALLY DELIVERIES, INVOICING AND WARRANTY.

NOTIFICACION
TODAS LAS RELACIONES COMERCIALES Y LEGALES CON RESPECTO A STS FLEXI-TANKS SERAN DIRECTAMENTE Y POR ENTERO CON SINGAPORE TANK SUPPLY LIMITED, ESPECIALMENTE LAS ENTREGAS, LA FACTURACION Y LA GARANTIA.



Design Drawing



StarBox International BV
Van Weerden Poelmanweg 9
3088 EA Rotterdam
The Netherlands

Tel. Central Office (+31) 104 831 755
Tel. Valencia Office (+34) 605 277 439
info@starboxintl.com
www.starboxintl.com

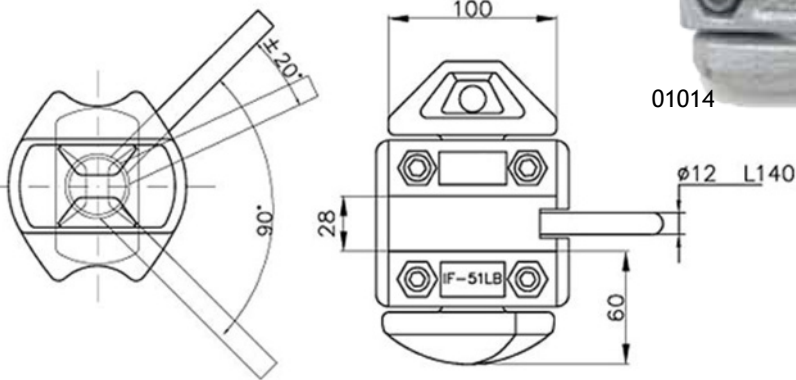
K2

TANK PARTS

TWISTLOCK

LASHING

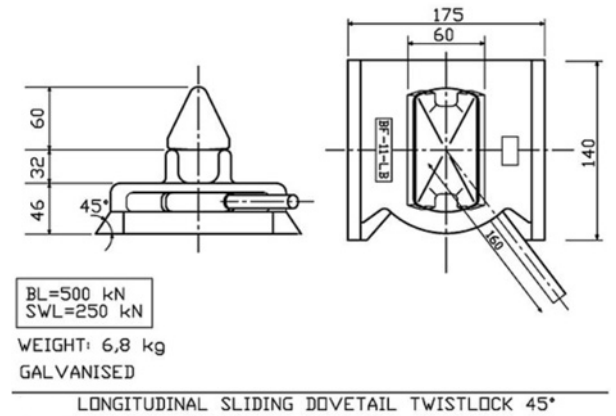
Pos.	Art.	Descrip.	Obs.
	01014	Intermediate twistlock <i>Tocho intermedio bl. izq.</i>	Galvanised steel Left block
	01014	Intermediate twistlock <i>Tocho intermedio bl. dch.</i>	Galvanised steel Right block
		Dovetail twistlock <i>Tocho cola milano bl. izq.</i>	Longitudinal Left block
		Dovetail twistlock <i>Tocho cola milano bl. dch.</i>	Longitudinal Right block
		Dovetail twistlock <i>Tocho cola milano bl. izq.</i>	Transversal Left block
		Dovetail twistlock <i>Tocho cola milano bl. dch.</i>	Transversal Right block
		Decksocket <i>Base</i>	Galvanised steel
	01035	Semi-automatic twistlock <i>Tocho semi-automático</i>	Cl.45.1



BL=50T
SWL=25T

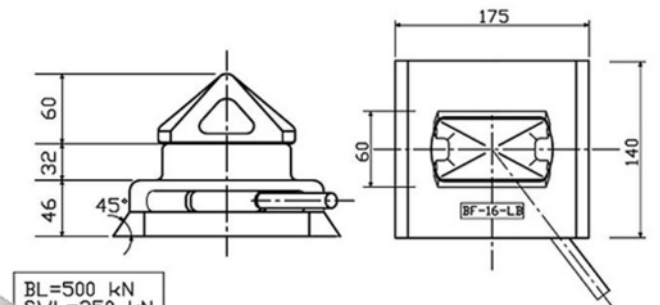
WEIGHT : 6,0 kg
GALVANISED

STANDARD INTERMEDIATE TWISTLOCK * LEFT BLOCKING



BL=500 kN
SWL=250 kN
WEIGHT: 6,8 kg
GALVANISED

LONGITUDINAL SLIDING DOVETAIL TWISTLOCK 45°



BL=500 kN
SWL=250 kN
WEIGHT: 7,0 kg
GALVANISED

TRANSVERSAL SLIDING DOVETAIL TWISTLOCK 45°

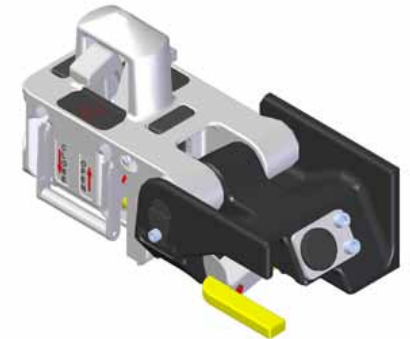
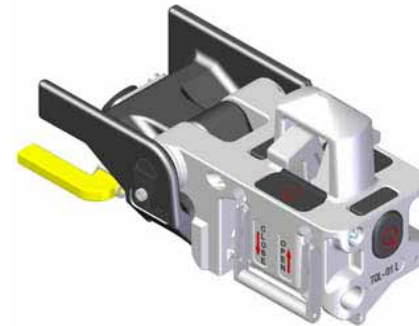
TIE RATCHET

Pos.	Art.	Descrip.	Obs.
1.001		Tie ratchet 4 tons <i>Trinquete 4 toneladas</i>	Incl. 9 m strap Pack 10 u. / pallet 260 u.
1.002		Tie ratchet 5 tons <i>Trinquete 5 toneladas</i>	Incl. 9 m strap Pack 10 u. / pallet 260 u.
1.005		Strap 9 m <i>Cinta 9 m</i>	Width 50 mm 5 tons



CONTAINER QUICK-LOCK

Pos.	Art.	Descrip.	Obs.
	QL-100	Cont. Quick-Lock QL-100	Fixed or double position 13,950 Kg
	WA-200	Adaptor WA-200 double axis <i>Soporte WA-200 dos ejes</i>	Double o triple position 6,900 Kg
	FA-100	Adaptor FA-100 one axis <i>Soporte FA-100 un eje</i>	Fixed position 5,900 Kg.
	HLC-200	Cont. Quick-Lock HLC-200	Triple position 18,950 Kg
	TQL-L	CQL collapsable left <i>CQL frontal abatible izq.</i>	28,745 Kg
	TQL-R	CQL collapsable right <i>CQL frontal abatible dch.</i>	28,745 Kg



VARIOUS

StarBox International BV
Van Weerden Poelmanweg 9
3088 EA Rotterdam
The Netherlands

Tel. Central Office (+31) 104 831 755
Tel. Valencia Office (+34) 605 277 439
info@starboxintl.com
www.starboxintl.com



PLUG - POWER CABLE - PARTLOW DISC - HEATER

REEFER MACHINE PARTS

Pos.	Art.	Descrip.	Obs.
		Reefer plug <i>Enchufe contenedor frigorífico</i>	380 - 460 V / 32 Amp / 4 pins Pack of 10 u.
		Reefer plug female <i>Enchufe hembra</i>	380 - 460 V / 32 Amp / 4 pins
		Power cable <i>Cable alimentación eléctrica</i>	Ø 10 mm roll 304 m
		Power cable <i>Cable alimentación eléctrica</i>	Ø 11 mm roll 304 m
		Cold shrink tube <i>Empalme en frío para cable</i>	Pack of 10 u.
		Partlow discs <i>Discos termógrafo Partlow</i>	Pack of 50 u.
		Filter drier standard <i>Filtro secador estándar</i>	Pack of 25 u.
		Carrier evaporator heater <i>Resistencia evaporador</i>	750 W / 230 V
		Carrier drainpan heater <i>Resist. bandeja desescarche</i>	
		Carrier battery pack <i>Kit batería</i>	
		Carrier key pad	



CARRIER REPAIRED PARTS ANALOG SERIES

REEFER MACHINE PARTS

Pos.	Art.	Descrip.	Obs.
		Digital display <i>Display digital</i>	12-00418-XX 12-01069-XX 12-01073-XX
		Timing Control Board <i>Tarjeta temporizador</i>	No current control 12-01058-02/-12/-22/-32
		Timing & current control b. <i>Tarjeta temporizador y corriente</i>	12-01058-00/-10/-13/-20/-30
		Power supply board <i>Tarjeta control de potencia</i>	12-01059-00/-10/-20/-30
		Temperature control board <i>Tarjeta control de temperatura</i>	12-01064-00/-01/02/-09/ -11/-12/-19/-21/-29-31/ -32/-39
		Status indicator <i>Indicador</i>	12-01078-00/-01/-02/-03/ -04/-05/-06/-07
		Temperature control board <i>Tarjeta control de temperatura</i>	12-1085-00/-02/-03/-09/ -20/-22/-23/-29
		Mother board <i>Placa base</i>	22-02226-00/-02/-12/-22 76-50019-00 22-02269-01/-11
		Temperature setpoint selector <i>Termostato</i>	22-02249-00/-01
		Simulation board <i>Tarjeta de simulación</i>	07-00207-00 07-00226-00

These so called **Repaired Parts** are offered on condition that the client returns the damaged parts to be replaced (so named cores) and that these are in a repairable state.

Las piezas reparadas Repaired Parts se ofrecen a condición que el cliente devuelva la pieza averiada y que esta se encuentre en un estado apto para repararla.



12-00418/-01069/-1073



12-1058-02



12-1058-00



12-1059



12-01064



12-01078



12-1085



22-02226/76-50019/22-02269



12-1058-00



07-00207-00/07-00226-00

CARRIER REPAIRED PARTS REEFER CONTAINER

REEFER MACHINE PARTS

Pos.	Art.	Descrip.	Obs.
		Microprocessor Microlink 1 <i>Micro Microlink 1 serie azul</i>	69NT41-598 Blue series
		Microprocessor Microlink 1 <i>Micro Microlink serie blanca</i>	69NT42-334 White series
		High Voltage Module	12-00329-00/-20
		Display Module	12-00333/12-00433
		Electronic Recorder <i>Termógrafo electrónica</i>	12-00464-00/-01/-02/-03/ -04/-05/-06/-07/-08
		Datareader <i>Lector de datos</i>	07-00321-00/-01/-02/-03/ -04/-05/-06/-07/12-00377-01
		Microlink 2 Controller Recip <i>para compr. semi-hermético</i> (SWR12xx)	12-00327-xx/12xx -00367/-00388/-00414/ -50026/-50029/...
		Microlink 2i Controller Recip <i>para compr. semi-hermético</i> (SWR12xx)	12-00373-xx/12xx -00378/-00379/-00386/ -00425/-00442/...
		Microlink 2i Controller Recip <i>para compr. semi-hermético</i> (SWR51xx)	12-00373-xx/51xx -00378/-00379/-00386/ -00425/-00442/...
		Microlink 2i Controller Scroll <i>para compr. semi-hermético</i> (SWR53xx)	12-00373-xx/53xx -00378/-00379/-00386/ -00425/-00442/...
		Microlink 2i Controller CA (Controlled Atmosphere) (SWR31xx)	12-00373-xx/31xx -00378/-00379/-00386/ -00425/-00442/...
		Microlink 2 Datacorder (SWR21xx)	12-00328-xx/21xx -00356/-00358/-00387/ -50036/-50356/...
		Microlink 3 Controller	12-55006/-56008 Recip 12-56007/-56009 Scroll
		FlashCard Programmer	PB10



69NT41-598



69NT42-334



12-00464-00



12-00329-00/-20



12-00333-00



12-00464-00



07-00321-00



12-00327



12-00373

Microlink 2 Datacorder
(SWR21xx)

12-00328-xx/21xx
-00356/-00358/-00387/
-50036/-50356/...



12-00328



12-55006/-55007/-55008/-55009



PB10

These so called **Repaired Parts** are offered on condition that the client returns the damaged parts to be replaced (so named cores) and that these are in a repairable state.

*Las piezas reparadas **Repaired Parts** se ofrecen a condición que el cliente devuelva la pieza averiada y que esta se encuentre en un estado apto para repararla.*

THERMO KING REPAIRED PARTS REEFER CONTAINER

REEFER MACHINE PARTS

Pos.	Art.	Descrip.	Obs.
		MPC2000/3000 Display	41-4919 MP2000 41-4919 MP3000 NOT interchangeable
		MPC2000 Controller	Call us to check part numbers
		MPC2000id/MPC3000 Controller	Call us to check part numbers
		MPC3000/MPC3000-A Main Relay Board	45-2834 MPC3000 MRB 45-2010 MPC3000-A MRB
		Datalogger 365 days <i>Registradora 365 días</i>	K31-72052-00 45-1904 K31-81436-00 K31-52122-00
		Controller uC	45-1347RB 45-1554RB
		Controller uP	Call us to check part numbers
		Controller uP-A	Call us to check part numbers
		Controller uP-A+	Call us to check part numbers
		Controller uP-D	Call us to check part numbers
		Power Board uP-D	45-1806 45-1817
		Output Module uP-D	45-1853 45-1711
		Phase Contactor	44-5752 44-5753 44-5755 44-1971



These so called **Repaired Parts** are offered on condition that the client returns the damaged parts to be replaced (so named cores) and that these are in a repairable state.

*Las piezas reparadas **Repaired Parts** se ofrecen a condición que el cliente devuelva la pieza averiada y que esta se encuentre en un estado apto para repararla.*

StarBox International BV
Van Weerden Poelmanweg 9
3088 EA Rotterdam
The Netherlands

Tel. Central Office (+31) 104 831 755
Tel. Valencia Office (+34) 605 277 439
info@starboxintl.com
www.starboxintl.com

M4

CARRIER REPAIRED PARTS TRUCK & TRAILER

REEFER MACHINE PARTS

Pos.	Art.	Descrip.	Obs.
		Control Panel, Startronic	05-0400
		Basic Control Board, Ecotronic	05-0428
		Basic Power Board, Ecotronic	05-0429/05-042901
		Control Panel, Startronic	05-0455
		TCS Board, Datacold	07-60041-00
		PC Board, 02TRS	07-60041-05
		Printer & Display Datacold	07-60058-01/-02
		Printer for Datacold	07-60093-00
		Board, Temperature Control	12-00214-31/-060
		Board, Auto Start/Stop	12-00249-14
		Microprocessor, Europhoenix	12-00259-06/12-00282-06
		Display Assembly, Maxima	12-00307-00
		Display Keypad & Gasket	12-00307-50
		Logic Board, Supra/Oasis	12-00324-13
		Control, Cab Command	12-00325-00
		Cab Control	12-00325-01/-02
		Logic Board, Supra/Oasis	12-00368-05/12-00382-19
		Micro Controller, Vector	12-00438-01/-02/-03/-04/-05/-06/-07/-08/-09/-10/-11
		Logicold Keypad	12-00450-00
		Control Relay Board	12-00460-03/12-00502-02
		Logic Board, Zephyr 540	12-00511-00/-01/-30/-31/-32
		Logic Board Zephyr 30S	12-00511-20/-21/-51/-52
		Logic Board, Xarios 500/600 TT	12-00511-81
		Logic Board, Neos 100	12-00511-90/-91/-92

05-0400



05-00428



05-0429/05-0429-01/13-52701



07-60041-00/-05



07-60058-01/-02/07-60093-00



12-00214-31



12-00307-00SV



12-00324-XX



12-00325-00



12-00438-01/-02/-03/-04/...



12-00460-01/-02/-03



12-00511-20/-21/-50/-51/-52

These so called **Repaired Parts** are offered on condition that the client returns the damaged parts to be replaced (so named cores) and that these are in a repairable state.

*Las piezas reparadas **Repaired Parts** se ofrecen a condición que el cliente devuelva la pieza averiada y que esta se encuentre en un estado apto para repararla.*

StarBox International BV
Van Weerden Poelmanweg 9
3088 EA Rotterdam
The Netherlands

Tel. Central Office (+31) 104 831 755
Tel. Valencia Office (+34) 605 277 439
info@starboxintl.com
www.starboxintl.com

M5

CARRIER REPAIRED PARTS TRUCK & TRAILER

REEFER MACHINE PARTS

Pos.	Art.	Descrip.	Obs.
		Logic Board Maxima/Supra/Oasis	12-00514-16/-17
		Microprocessor Xarios Standard	12-00526-20
		Microproc. Xarios All Options	12-00526-21
		Microproc. Xarios, Road Only	12-00526-32/-52
		Cab Command, Xarios	12-00527-00/-01
		Relay Board, Maxima	12-00530-03
		Relay Board, Maxima MT	12-00530-11
		Micro Xarios, MT Main	12-00555-05
		Micro Xarios, MT Aux.	12-00555-55
		Cab Command, Xarios MT	12-00556-00
		Datacold, 500R V1	12-00585-73
		Datacold, 500T V1	12-00585-74
		Datacold, 500R V2	12-00585-82
		Datacold, 500T V2	12-00585-83
		Datacold, 250R	12-00600-55
		Datacold, 250T	12-00600-56
		Logic Board, Supra/Oasis MT	12-00648-06/12-00650-02
		Logic Board, Maxima/Supra/Oasis	12-00649-10/-11
		Thermostat	12-60001-00/-01
		Cab Command, Zephyr	12-60008-00/-07
		Cab Command, Zephyr	12-60028-00/-01
		Cab Command, Neos	12-60028-02
		Logic Module Zephyr 20S & 30S	12-60029-00/-01/-02/-03/-06/-10/-16/-21/-22/-23
		Logic Module, zephyr 300 12V	12-60029-04/-11/-17
		Logic Module, Integra 20S	12-60029-08/-12/-18



12-00514-01/-02/-03/-04/...



15-00526-00/-01/-02/-03/...



12-00527-00/-01



12-00530-00/-01/-02/-03



12-00555-01/-02/-03/-04/-05



12-00556-00



Datacold T version



Datacold R version



12-00648-00/-01/-02/-03/...



12-00649-00/-01/-02/-03/...



12-60008-00/-07



12-60029-00/-01/-02/-03/...

These so called **Repaired Parts** are offered on condition that the client returns the damaged parts to be replaced (so named cores) and that these are in a repairable state.

*Las piezas reparadas **Repaired Parts** se ofrecen a condición que el cliente devuelva la pieza averiada y que esta se encuentre en un estado apto para repararla.*

StarBox International BV
Van Weerden Poelmanweg 9
3088 EA Rotterdam
The Netherlands

Tel. Central Office (+31) 104 831 755
Tel. Valencia Office (+34) 605 277 439
info@starboxintl.com
www.starboxintl.com

M6

CARRIER REPAIRED PARTS TRUCK & TRAILER

REEFER MACHINE PARTS

Pos.	Art.	Descrip.	Obs.
		Logic Mod. Zephyr Z300 BT 12V	12-60029-09/-13/-15
		Logic Module, Zephyr 30S MT	12-60029-14
		Logic Mod. Zephyr Z300 BT 24V	12-60029-19
		Logic Module, Zephyr 300 24V	12-60029-20
		Cab Command, Mistral	13-3415
		Cab Control	13-3478/-01/-02
		Logic Board, Startronic	13-3500
		Logic Board, Ecotronic	13-3525
		Ventilation Board, Ecotronic	13-3526
		Basic Power Board, Ecotronic	13-352701
		Board Diode	13-7112
		Thermostat	14-0451/14-0504
		Board, Mother	22-01101-02
		Board Diode	22-01102-10
		Battery Charger 12VDC	30-00434-01/-02/-03/-04
		Battery Charger 24VDC	30-00434-10/-12/-13
		Voltage Reducer 24 / 12	71-00249-00
		Control Board, Startronic	71-00767-00
		Control Panel, Startronic	71-00511-00/71-00512-00
		Control Panel, Ecotronic	71-02341-00
		Cab Command, Zephyr	71-02837-00
		Thermostat	71-03094-00/71-03096-00
		Board, Temperature Control	71-04102-00
		Board, Auto Start/Stop	71-04515-00
		Cab Command, Zephyr	71-04643-00
		Cab Comm. Zephyr W/Bracket	79-60409-00
		Cab Comm. Neos W/Bracket	79-60409-01



13-3415



13-3478/-3478-01/-3478-02



13-3500



13-3525



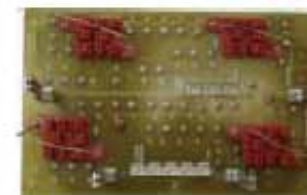
13-3526



13-7112/22-01102-00/-10



14-0451/-0504



22-01101-01/-02



30-00434-01/-02/-03/-04/...



71-01512



71-04515



71-00249

These so called **Repaired Parts** are offered on condition that the client returns the damaged parts to be replaced (so named cores) and that these are in a repairable state.

*Las piezas reparadas **Repaired Parts** se ofrecen a condición que el cliente devuelva la pieza averiada y que esta se encuentre en un estado apto para repararla.*

StarBox International BV
Van Weerden Poelmanweg 9
3088 EA Rotterdam
The Netherlands

Tel. Central Office (+31) 104 831 755
Tel. Valencia Office (+34) 605 277 439
info@starboxintl.com
www.starboxintl.com

M7

CARRIER REPAIRED PARTS TRUCK & TRAILER

REEFER MACHINE PARTS

Pos.	Art.	Descrip.	Obs.
		Cab Comm. Xarios W/Bracket	79-60428-00
		Cab Command Xarios MT W/Bracket	79-60450-00
		Display Board, Logicold	91-00311-00
		Display Assy, Logicold	91-00312-00/-01/-02
		Display Assy, incl. switches	91-00312-00/-01/-02
		Display Assy, W/Bracket	91-00313-00/-01/-02
		Display Assy, incl. switches	91-00313-00/-01/-02
		Display Assy, Easycold	91-00333-00/-01/-02
		Display Assy, incl. switches	91-00333-00/-01/-02
		Logic Board & Cover Assy.	91-01146-51
		Control Panel, Ecotronic	91-60067-00
		Micro Xarios MT Aux.	91-60226-05A
		Micro Xarios MT Main	91-60226-05M
		Logic Board Viento	91-60283-00/-01/-02/-03/-50/-51

These so called **Repaired Parts** are offered on condition that the client returns the damaged parts to be replaced (so named cores) and that these are in a repairable state.

*Las piezas reparadas **Repaired Parts** se ofrecen a condición que el cliente devuelva la pieza averiada y que esta se encuentre en un estado apto para repararla.*



79-60428-00



79-60450-00



91-00312-00/-01/-02



91-00313-00/-01/-02



91-00333-00/-01/-02



91-01146-XX



91-60067-00

THERMO KING REPAIRED PARTS TRUCK & TRAILER

REEFER MACHINE PARTS

Pos.	Art.	Descrip.	Obs.
		Cab Control, TG-V	41-1544
		Cab Control, TG-V MT	41-1548
		Relay Board	41-1812
		PC Board, Phase 24V	41-2086
		PC Board, Phase 12V	41-2092
		Relay Board	41-2546
		Incab Control	41-2997
		Relay Board, uP VI	41-3061
		Cab Control, M12	41-3100
		Cab Control, M14	41-3161
		Board, Printed Circuit	41-3242
		PC Board, Phase	41-3247/-3248/-3249
		Cab Control, TG-V 12V	41-3305
		Cab Control, TG-V 12 V & Mod.	41-3306
		Cab Control, TG-V 24V	41-3307
		Cab Control, TG-V 24V & Mod.	41-3308
		Cab Control, TG-V 12V	41-3310
		Cab Control, M15	41-3333
		Board, Printed Circuit	41-3366
		Relay Board, TG-uP V / VI / VI+	41-3411/-3412/-3427
		Relay Board, uP MT	41-3562/-3563
		Relay Board, uP V / VI / VI+	41-3727
		PC Board, Phase	41-4259
		Relay Board, uP, VI	41-4316
		Board, Printed Circuit	41-4372
		PC Board, Interface M-PT	41-4458
		Relay Board, uP VI	41-4915



41-1544



41-1548/41-3310



41-1812



41-2086 24V/41-2092 12V



41-3061/-4316/-4915



41-3100/41-3161/45-1780



41-3247/-3248/-3249/-4259



41-3305/-3306/-3307/-3308



41-3333



41-3411/-3412/-3427



41-3562/-3563



41-4458

These so called **Repaired Parts** are offered on condition that the client returns the damaged parts to be replaced (so named cores) and that these are in a repairable state.

*Las piezas reparadas **Repaired Parts** se ofrecen a condición que el cliente devuelva la pieza averiada y que esta se encuentre en un estado apto para repararla.*

StarBox International BV
Van Weerden Poelmanweg 9
3088 EA Rotterdam
The Netherlands

Tel. Central Office (+31) 104 831 755
Tel. Valencia Office (+34) 605 277 439
info@starboxintl.com
www.starboxintl.com

M9

THERMO KING REPAIRED PARTS TRUCK & TRAILER

REEFER MACHINE PARTS

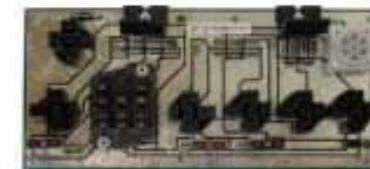
Pos.	Art.	Descrip.	Obs.
		PC Board, Interface M-PT	41-4981
		Relay Board	41-5442
		Cab Control, TG-V 12V	41-669
		Relay Board, TG-uP V / VI / VI+	41-737
		I/O Module, uP IV MT	41-866
		PC Board, Cycle Sentry	44-9115/-9865
		Thermostat, TG-V	45-1415/-1486/-1579
		Controller, TG-uP IV	45-1535/-1600
		Controller, TG-uP IV, W/Logger	45-1601
		Box Remote Cab Control	45-1626
		Controller, TG-VI CS (MP-T)	45-1708
		Cab Control M9	45-1728
		Controller, TG-uP IV+	45-1731
		Controller, TG-uP IV+ W/Logger	45-1732
		Controller, TG-VI CS	45-1767
		Controller, TG-VIa	45-1768
		Controller, TG-VIb	45-1769
		Cab Control	45-1771
		Cab Control, M13	45-1780
		Controller, MT-uP IV	45-1784
		Controller, MT-uP IV W/Logger	45-1785
		Controller, TG-uP V	45-1801
		Controller, TG-uP V W/Logger	45-1802
		Box Remote Cab Control	45-1812/-1866
		Cab Control M16	45-1928
		Cab Control M17	45-1929
		Controller SR, uP VI	45-1930



41-4981



41-866



44-9865



45-1415/-1486/-1579



45-1535/-1600/-1601



45-1626/-1812/-1866



45-1728/-1771/-1928/-1929



45-1731/-1732



45-1768



45-1769



45-1784/-1785



45-1930/-1931

These so called **Repaired Parts** are offered on condition that the client returns the damaged parts to be replaced (so named cores) and that these are in a repairable state.

*Las piezas reparadas **Repaired Parts** se ofrecen a condición que el cliente devuelva la pieza averiada y que esta se encuentre en un estado apto para repararla.*

StarBox International BV
Van Weerden Poelmanweg 9
3088 EA Rotterdam
The Netherlands

Tel. Central Office (+31) 104 831 755
Tel. Valencia Office (+34) 605 277 439
info@starboxintl.com
www.starboxintl.com

M10

THERMO KING REPAIRED PARTS TRUCK & TRAILER

REEFER MACHINE PARTS

Pos.	Art.	Descrip.	Obs.
		Controller SR, uP VI, W/Logger	45-1931
		Controller SR, MT-uP VI	45-1962
		Controller SR, MT-uP VI, W/Logger	45-1963
		Cab Control M15	45-1997
		Cab Controller, Spectrum	45-2097



45-1962/-1963



45-1997

These so called **Repaired Parts** are offered on condition that the client returns the damaged parts to be replaced (so named cores) and that these are in a repairable state.

*Las piezas reparadas **Repaired Parts** se ofrecen a condición que el cliente devuelva la pieza averiada y que esta se encuentre en un estado apto para repararla.*